




... the spring of life





NORTH AMERICA CATALOG
shallow well multi stage centrifugal turbines



3000 W. 16 Ave. Miami, FL 33012
TEL: (954) 474 9090 FAX: (954) 889 0413

 tech support (954) 474 9090

 www.pdwatersystems.com

 customerservice@pdwatersystems.com



INDEX

SHALLOW WELL

JSW	Shallow Well Cast Iron Priming Jet Pump	4
JCR	Shallow Well Stainless Steel Self Priming Jet Pump	6

MULTISTAGE

PLURIJET	Multi Stage Self Priming Pump	8
3-4CP	Cast Iron Multi Stage Pump	14
3-4CR	Stainless Steel Multi Stage Pump	16

CENTRIFUGAL

AR	Stainless Steel 304 Centrifugal Pump	18
PRO-NGA	Stainless Steel 316 Centrifugal Pump	20
CP	Cast Iron Centrifugal Pump	22
2CP	Twin impeller Centrifugal End Suction Pump	30
CP25	Centrifugal Pump	32
HF	Cast Iron Centrifugal Mid-High Flow Pump	34

TURBINES

PK	Turbine with Peripheral Impeller Pump	36
PK-BZ	Turbine with Peripheral Impeller Pump	38
PQ	Turbine with Peripheral Impeller Pump	40
PQH20	Turbine with Peripheral Impeller Pump	42
PQA	Turbine with Peripheral Impeller Pump	44
PQ-BZ	Turbine with Peripheral Impeller Pump	46



JSW

cast iron "Shallow Well"
self-priming jet pumps

Robust and efficient pump with
a Cast Iron and Alluminium
combination.
Perfect Pump for Residential
Sprinkler Systems.



RANGE OF PERFORMANCE

Capacity up to 39.5 gpm
Head up to 236 ft

LIMITS OF USE

Manometric suction lift up to 29 ft
Liquid temperature up to + 104°F
Environment temperature up to + 104°F

CONSTRUCTION AND SAFETY STANDARDS

EN 60 335-1	EN 60034-1
IEC 335-1	IEC 34-1
CEI 61-150	CEI 2-3



INSTALLATION AND USE

They are recommended for pumping clean water and liquids that are chemically non aggressive to the materials from which the pump is made.

JSW SELF-PRIMING PUMPS ARE DESIGNED FOR SUCTION LIFTS AND CAN BE POSITIONED ABOVE THE WATER SOURCE, INCLUDING APPLICATIONS WITH AIR ENTRAINED IN THE WATER. DUE TO THEIR RELIABILITY AND LOW MAINTENANCE, THEY ARE RECOMMENDED FOR RESIDENTIAL USE, INCLUDING WATER DISTRIBUTION (AS PART OF A PRESSURE SET), GARDEN IRRIGATION, ETC.

It is recommended to install the pumps in enclosed places, or at least protected against inclement weather.

GUARANTEE 2 YEAR subject to our general terms of sale.

CONSTRUCTION CHARACTERISTICS

PUMP BODY: cast iron, with threaded ports.

BODY BACK-PLATE: stainless steel AISI 304.

EJECTOR ASSEMBLY: technopolymer.

IMPELLER: technopolymer up to 1 HP.

MOTOR SHAFT: stainless steel EN 10088-3 - 1.4104.

MECHANICAL SEAL: ceramic - graphite -NBR.

ELECTRIC MOTOR: the pumps are close-coupled to a carefully matched PEDROLLO electric motor, quiet running, totally enclosed fan cooled (TEFC), suitable for continuous duty.

JSW: single-phase 115 V or 230 V - 60 Hz with capacitor

INSULATION: class F. • **PROTECTION:** IP 44.

REGISTERED MODEL n° 72753.

OPTIONS ON REQUEST

other voltages or frequency 50 Hz



tech support (954) 474 9090

www.pdwatersystems.com

customerservice@pdwatersystems.com

PERFORMANCE CHART

JSW 05 - 1/2 Hp 1" suction - 1" discharge

Suction Lift Depth (feet)	Discharge Pressure - PSI				Max Shut OFF PSI
	30	40	50	60	
	Discharge Capacity US GPM				
5	12	8	5	2	70
10	11	6.5	4	1.5	68
15	10.5	6.5	3.5	1	65.5
20	8.5	5.5	3	0.5	62.5
25	8	5	2.5		61.5

JSW 07- 3/4 Hp 1" suction - 1" discharge

Suction Lift Depth (feet)	Discharge Pressure - PSI				Max Shut OFF PSI
	30	40	50	60	
	Discharge Capacity US GPM				
5	21	20	7	2	65
10	18.5	11	6.5	1.5	63
15	16.2	10	5.3		61
20	14.9	8	2.9		59
25	7.2	5.5	1.5		57

JSW 10 - 1 Hp 1" suction - 1" discharge

Suction Lift Depth (feet)	Discharge Pressure - PSI				Max Shut OFF PSI
	30	40	50	60	
	Discharge Capacity US GPM				
5	22	21	15.8	10	79
10	22	21	14.5	8.5	77
15	21	20	12.6	7.2	75
20	20	18.5	10.5	5	73
25	20	18	10.3	4	71

JSWQ 15 - 1 1/2 Hp 1 1/4" suction - 1" discharge

Suction Lift Depth (feet)	Discharge Pressure - PSI				Max Shut OFF PSI
	30	40	50	60	
	Discharge Capacity US GPM				
5	40	30	18	12	74
10	40	29	16.5	10.5	72
15	39.5	28.5	14.5	9	70
20	39.5	28.5	12	8.5	68
25	39.5	28.5	11.5	8	66

JSWH 07- 3/4 Hp 1" suction - 1" discharge

Suction Lift Depth (feet)	Discharge Pressure - PSI				Max Shut OFF PSI
	30	40	50	60	
	Discharge Capacity US GPM				
5	14	13	8.5	6	80
10	13	12	8	5	78
15	12	11	7	4	76
20	10	9	6	3	74
25	9	7	5	2	72

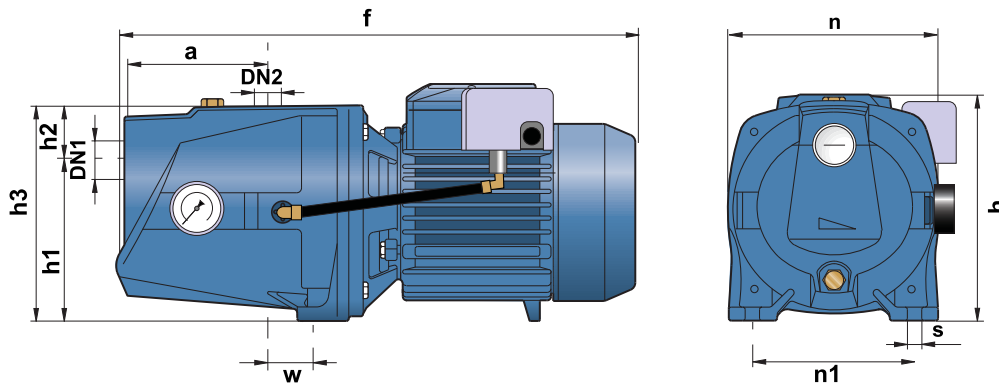
JSWH 10 - 1 Hp 1" suction - 1" discharge

Suction Lift Depth (feet)	Discharge Pressure - PSI				Max Shut OFF PSI
	30	40	50	60	
	Discharge Capacity US GPM				
5	14	14	12	9	102
10	13.5	13.5	10	7.5	100
15	13	13	9.8	7	98
20	13	12.5	9	6.5	96
25	12	11	8	6	94

JSWM 15 - 1 1/2 Hp 1 1/4" suction - 1" discharge

Suction Lift Depth (feet)	Discharge Pressure - PSI				Max Shut OFF PSI
	30	40	50	60	
	Discharge Capacity US GPM				
5	32	32	24	18	85
10	32	31	22	16	83
15	31	30	20	15	81
20	31	30	18	14	79
25	30	30	17	13	77

DIMENSIONS AND WEIGHTS



MODEL	DISCH		DIMENSIONS INCHES										LBS	
	DN1	DN2	a	f	h	h1	h2	h3	n	n1	w	s	1~	3~
JSW 05	1"	1"	4.5	15.2/14.9	6.7	5.0	1.3	6.3	6.3	4.9	0.4	0.4	22.1	22.5
JSW 07	1"	1"	4.5	15.8	7.9	5.8	1.4	7.2	7.1	5.6	0.9	0.4	30.3	30.5
JSWH 07	1"	1"	4.5	15.8	7.9	5.8	1.4	7.2	7.1	5.6	0.9	0.4	30.3	30.5
JSW 10	1"	1"	4.5	15.8	7.9	5.8	1.4	7.2	7.1	5.6	0.9	0.4	33.2	30.5
JSWH 10	1"	1"	4.5	15.8	7.9	5.8	1.4	7.2	7.1	5.6	0.9	0.4	33.2	30.9
JSWQ 15	1 1/4"	1"	6.10	20.6	9.52	6.49	1.7	8.18	8.10	6.45	1.18	0.4	59.0	57.0
JSWM 15	1 1/4"	1"	6.10	20.6	9.52	6.49	1.7	8.18	8.10	6.45	1.18	0.4	59.0	57.0

JCR

stainless steel "Shallow Well"
self priming jet pump

Perfect combination
Alluminium and Stainless
Steel for aggressive
environment.
Perfect Pump for Quality
Water Treatment
Equipments.



RANGE OF PERFORMANCE

Capacity up to 22 gpm
Head up to 233 ft

LIMITS OF USE

Manometric suction lift up to 29 ft
Liquid temperature up to + 104°F
Environment temperature up to + 104°F

CONSTRUCTION AND SAFETY STANDARDS

EN 60 335-1 EN 60034-1
IEC 335-1 IEC 34-1
CEI 61-150 CEI 2-3



INSTALLATION AND USE

They are recommended for pumping clean water and liquids that are chemically non aggressive to the materials from which the pump is made.

JCR SELF-PRIMING PUMPS ARE DESIGNED FOR SUCTION LIFTS AND CAN BE POSITIONED ABOVE THE WATER SOURCE, INCLUDING APPLICATIONS WITH AIR ENTRAINED IN THE WATER. DUE TO THEIR RELIABILITY AND LOW MAINTENANCE, THEY ARE RECOMMENDED FOR DOMESTIC USE, INCLUDING WATER DISTRIBUTION (AS PART OF A PRESSURE SET), GARDEN IRRIGATION, ETC.

It is recommended to install the pumps in enclosed places, or at least protected against inclement weather.

GUARANTEE 2 YEAR subject to our general terms of sale.

CONSTRUCTION CHARACTERISTICS

PUMP BODY: stainless steel AISI 304, with threaded ports.

BODY BACK-PLATE: stainless steel AISI 304.

EJECTOR ASSEMBLY: technopolymer (approved for drinking water).

IMPELLER: technopolymer (for drinking water).

MOTOR SHAFT: stainless steel EN 10088-3 - 1.4104

MECHANICAL SEAL: ceramic - graphite - NBR.

ELECTRIC MOTOR: the pumps are close-coupled to a carefully matched PEDROLLO electric motor, quiet running, totally enclosed fan cooled (TEFC), suitable for continuous duty.

JCR: single-phase 115 V or 230 V - 60 Hz with capacitor

INSULATION: class F. • **PROTECTION:** IP 44.

OPTIONS ON REQUEST

other voltages or frequency 50 Hz



tech support (954) 474 9090

www.pdwatersystems.com

customerservice@pdwatersystems.com

PERFORMANCE CHART

JCR 05 - 1/2 Hp

1" suction - 1" discharge

Suction Lift Depth (feet)	Discharge Pressure - PSI				Max Shut OFF PSI
	30	40	50	60	
	Discharge Capacity US GPM				
5	11	7	4	2	67
10	10	6	3	1	65
15	9.5	5.5	2		63
20	8.5	4.5	1		60
25	8	4			57

JCR 07 - 3/4 Hp

1 1/4" suction - 1" discharge

Suction Lift Depth (feet)	Discharge Pressure - PSI				Max Shut OFF PSI
	30	40	50	60	
	Discharge Capacity US GPM				
5	18	11	7	2	65
10	17.5	10	6.5	1.5	63
15	16.2	9	5		61
20	14.9	8	2.9		59
25	7.2	5.5	1.5		57

JCRH 07 - 3/4 Hp

1 1/4" suction - 1" discharge

Suction Lift Depth (feet)	Discharge Pressure - PSI				Max Shut OFF PSI
	30	40	50	60	
	Discharge Capacity US GPM				
5	12.5	8	5	3	77
10	11.4	7.4	4.7	2.6	75
15	9.5	7	4	2	73
20	8	6	3.5	0	71
25	7	5.5	3.2	0	69

JCR 10 - 1 Hp

1 1/4" suction - 1" discharge

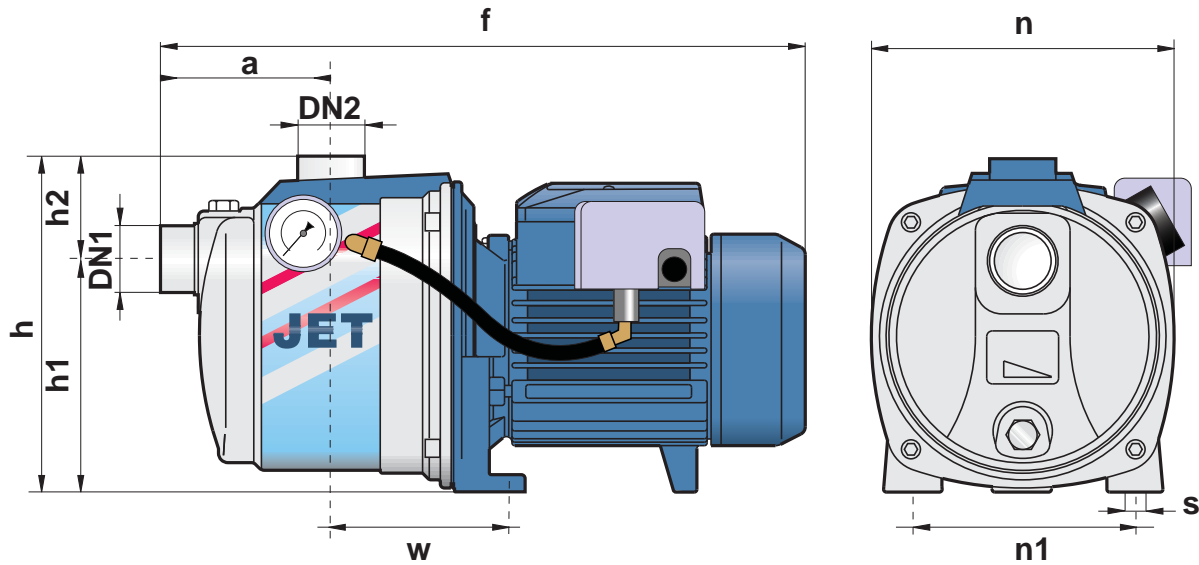
Suction Lift Depth (feet)	Discharge Pressure - PSI				Max Shut OFF PSI
	30	40	50	60	
	Discharge Capacity US GPM				
5	22	21	14	9	79
10	22	20	13.5	8.5	77
15	21	19	12.6	7.2	75
20	20	18.5	10.6	5	73
25	20	18	10.3	4	71

JCRH 10 - 1 Hp

1 1/4" suction - 1" discharge

Suction Lift Depth (feet)	Discharge Pressure - PSI				Max Shut OFF PSI
	30	40	50	60	
	Discharge Capacity US GPM				
5	14	14	10	7.5	99
10	14	13	9	6.5	97
15	14	12	8.5	6	95
20	13	11	8	5.5	93
25	12	10.5	7.5	5	91

DIMENSIONS AND WEIGHTS



MODEL	DISCH		DIMENSIONS INCHES									LBS	
	DN1	DN2	a	f	h	h1	h2	n	n1	w	s	1~	3~
JCR 05	1"	1"	3.5	13.9/13.6	6.9	4.8	2.0	6.3	4.7	3.7	0.4	15.2	14.3
JCR-JCRH 07	1 1/4"	1"	4.6	16.0	8.1	5.7	2.2	7.2	5.3	4.3	0.4	20.7	21.2
JCR-JCRH10	1 1/4"	1"	4.6	16.0	8.1	5.7	2.2	7.2	5.3	4.3	0.4	23.8	22.9

PLURIJET

self-priming multi-stage pumps

New self-priming pumps, quiet running, reliable, high efficiency, patented.



RANGE OF PERFORMANCE

Capacity up to 52 gpm
Head up to 319 ft

LIMITS OF USE

Manometric suction lift up to 29 ft
Liquid temperature up to + 104°F
Environment temperature up to + 104°F

CONSTRUCTION AND SAFETY STANDARDS

EN 60 335-1 EN 60034-1
IEC 335-1 IEC 34-1
CEI 61-150 CEI 2-3



INSTALLATION AND USE

They are recommended for clean water and liquids that are chemically non aggressive to the materials from which the pump is made.

PLURIJET SELF-PRIMING PUMPS ARE DESIGNED FOR LIFTING WATER, EVEN IN AIR PRESENCE. THEIR QUIET RUNNING, RELIABILITY AND LOW POWER CONSUMPTION MAKES THEM PARTICULARLY SUITABLE FOR DOMESTIC AND CIVIL USE, INCLUDING PRESSURISATION AND DISTRIBUTION OF WATER, IRRIGATION AND RAINWATER RECOVERY SYSTEMS.

It is recommended to install the pumps in enclosed places, or at least protected against inclement weather.

GUARANTEE 2 YEAR subject to our general terms of sale.

CONSTRUCTION CHARACTERISTICS

PUMP BODY: cast iron and stainless steel AISI 304 (cast iron up to 0.7 HP), with threaded ports.

IMPELLER: technopolymer (approved for drinking water).

MOTOR SHAFT: stainless steel EN 10088-3 - 1.4104

MECHANICAL SEAL: ceramic - graphite - NBR.

ELECTRIC MOTOR: the pumps are close-coupled to a carefully matched PEDROLLO electric motor, quiet running, totally enclosed fan cooled (TEFC), suitable for continuous duty.

PLURIJET: single-phase 230 V - 60 Hz with capacitor and thermal overload protector.

PLURIJET: three-phase 230/460 V - 60 Hz.

INSULATION: class F • **PROTECTION:** IP 44.

REGISTERED MODEL

OPTIONS ON REQUEST

other voltages or frequency 50 Hz

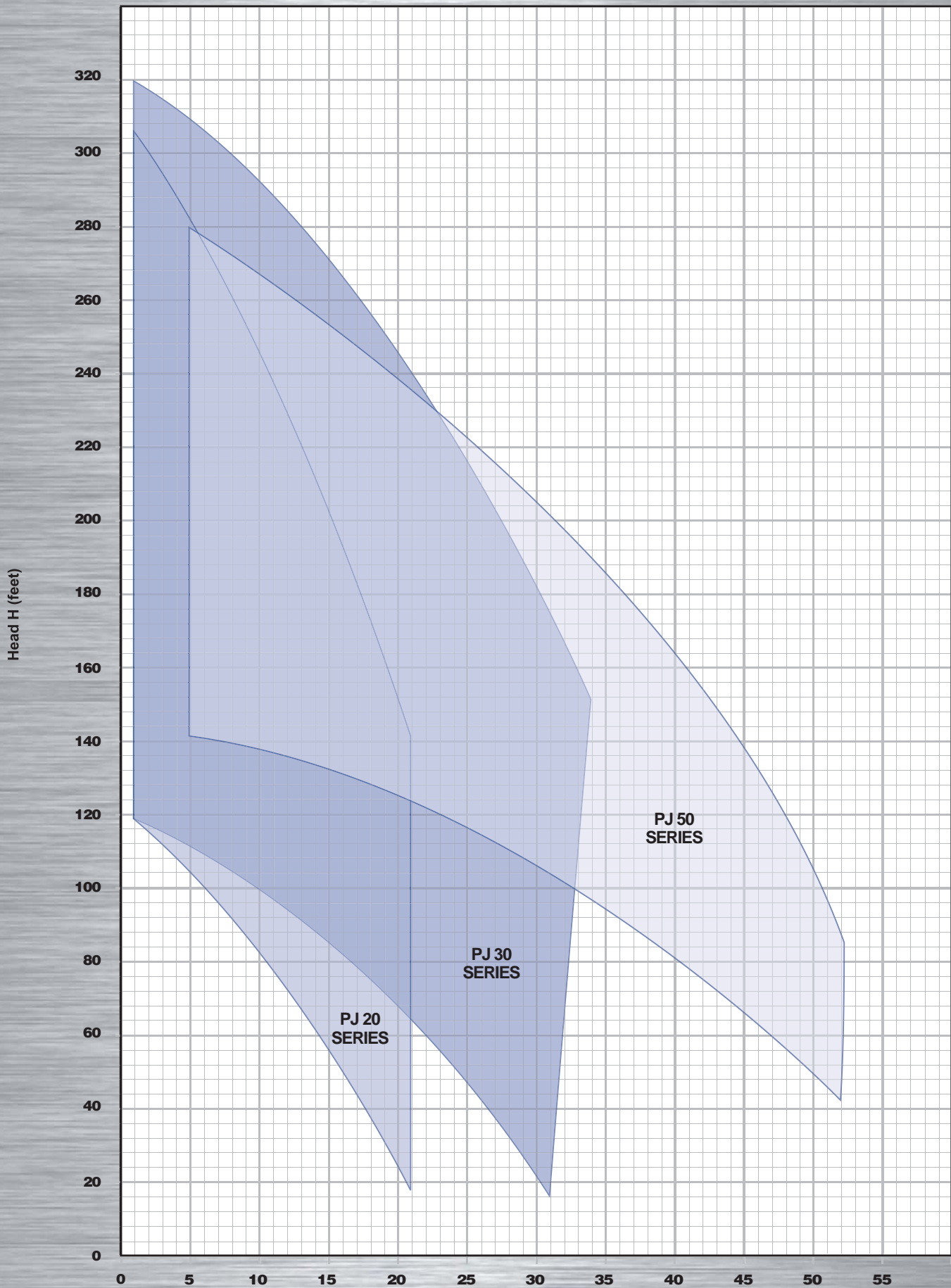


 tech support (954) 474 9090

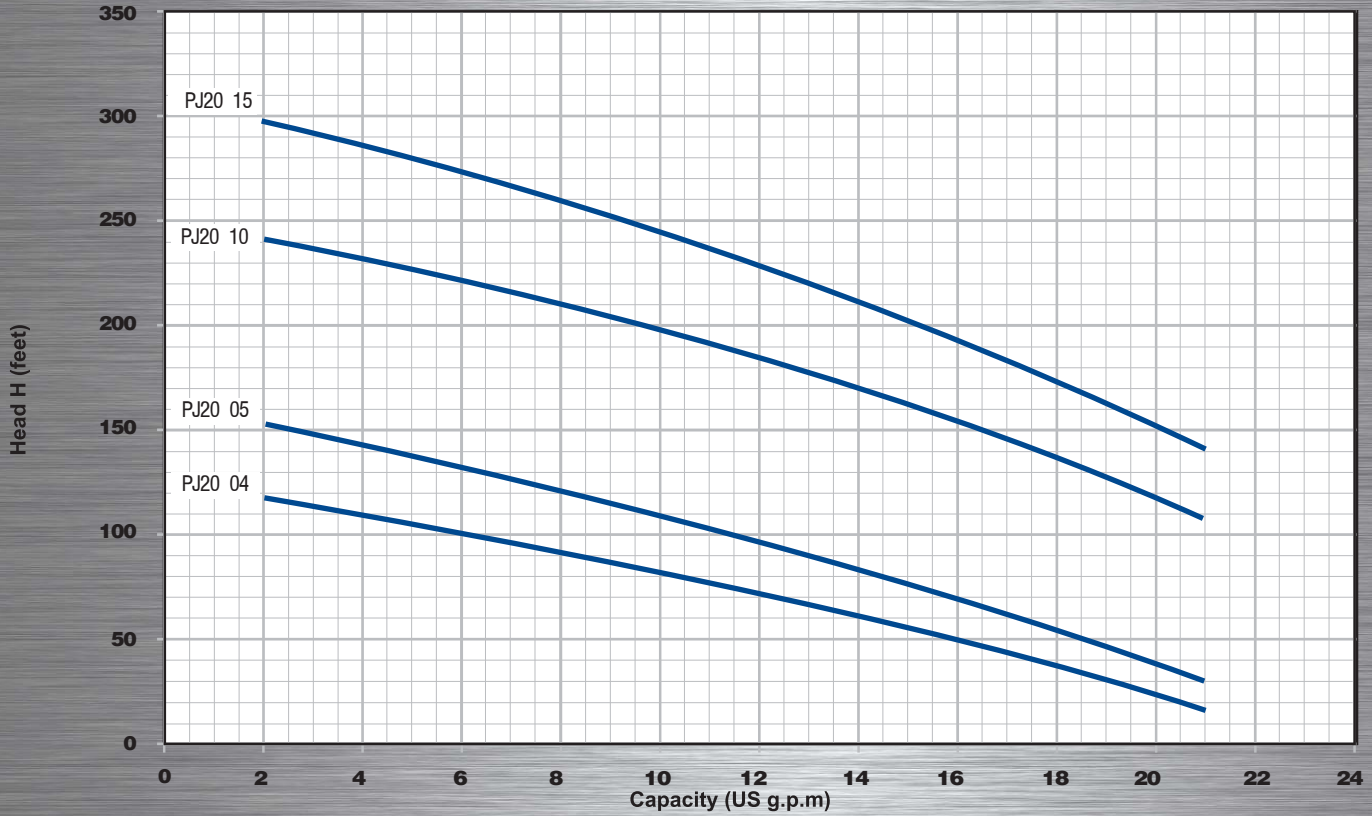
 www.pdwatersystems.com

 customerservice@pdwatersystems.com

CURVES AND PERFORMANCE DATA



CURVES AND PERFORMANCE DATA



MODEL		HP	CAPACITY GPM	0	2	4	6	8	10	12	14	16	21
1 PH	3 PH			H Feet									
PJ20 04	PJ20 04	0.4		125	118	110	100	92	82	72	60	50	16
PJ20 05	PJ20 05	0.5		164	152	142	132	120	110	96	82	70	33
PJ20 10	PJ20 10	1.0		250	241	231	221	210	198	185	170	154	108
PJ20 15	PJ20 15	1.5		306	298	286	272	259	245	228	211	192	141

PJ 20 04

Suction Lift Depth (feet)	Discharge Pressure - PSI					Max Shut OFF PSI
	20	30	40	50	60	
	Discharge Capacity US GPM					
5	17	13	8			56
10	16	12	7			51
15	15	11	6			49
20	14	9				47
25	13	8				45

PJ 20 05

Suction Lift Depth (feet)	Discharge Pressure - PSI					Max Shut OFF PSI
	20	30	40	50	60	
	Discharge Capacity US GPM					
5	21	17	12	9	8	73
10	20	16	12	9	7	69
15	19	15	11	8	7	66
20	18	13	10	8		64
25	17	12	9	8		62

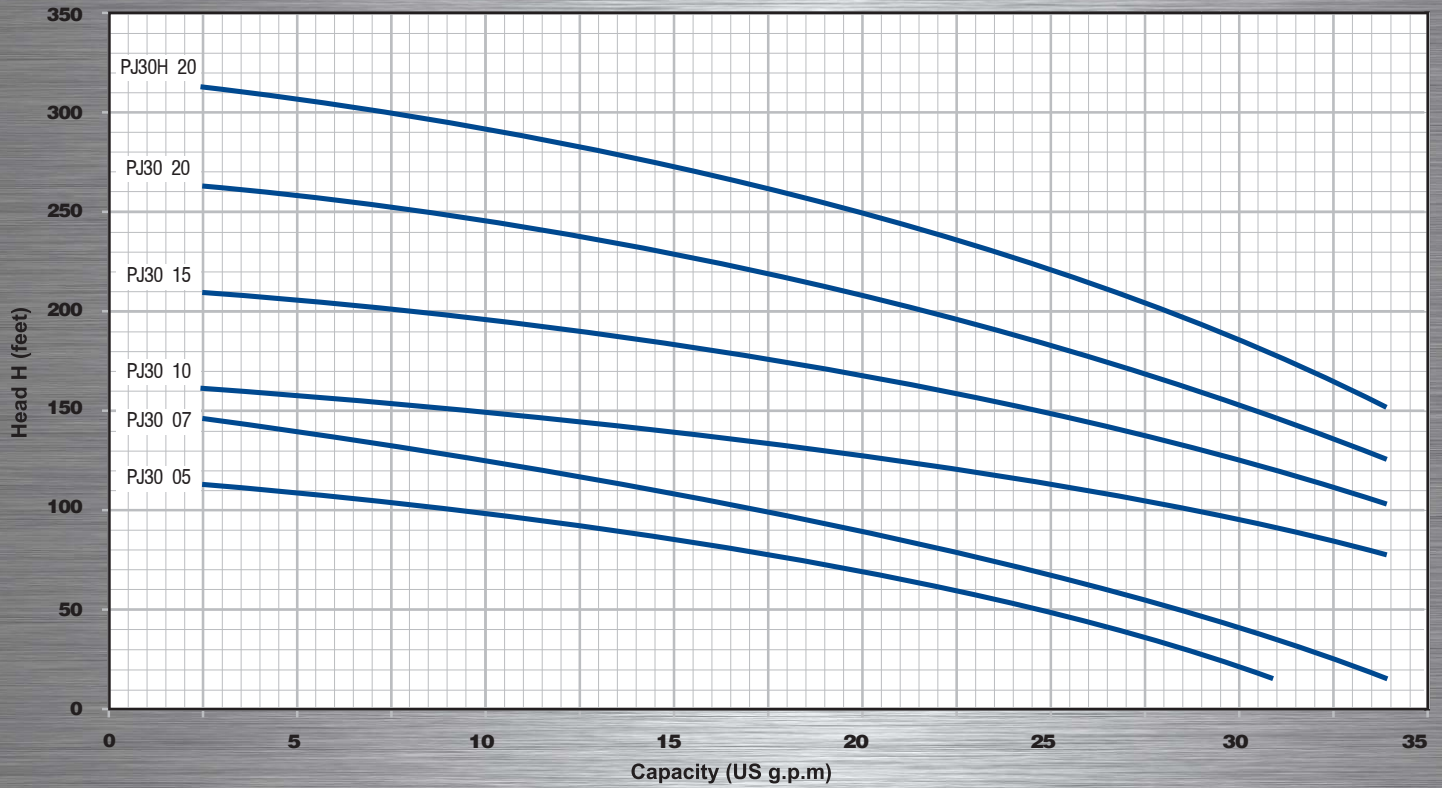
PJ 20 10

Suction Lift Depth (feet)	Discharge Pressure - PSI					Max Shut OFF PSI
	50	60	70	80	90	
	Discharge Capacity US GPM					
5	21	17	14	11	8	111
10	20	16	13	11	8	109
15	19	16	12	9	7	105
20	18	15	11	9		102
25	17	14	11	8		100

PJ 20 15

Suction Lift Depth (feet)	Discharge Pressure - PSI					Max Shut OFF PSI
	60	70	80	90	100	
	Discharge Capacity US GPM					
5	21	20	17	14	10	136
10	21	19	16	13	10	132
15	21	18	15	12	9	129
20	20	17	15	12		127
25	20	17	14	11		125

CURVES AND PERFORMANCE DATA



MODEL		HP	CAPACITY GPM	H Feet															
1 PH	3 PH			0	2.5	5.0	7.5	10	12.5	15	17.5	20	22.5	25	27.5	30	34		
PJ30 05	PJ30 05	0.5		118	116	109	103	99	91	85	78	70	60	49	35				
PJ30 07	PJ30 07	0.7		151	148	140	131	125	118	108	99	90	80	69	55	40	16		
PJ30 10	PJ30 10	1.0		164	160	158	152	149	144	140	132	128	120	111	105	95	79		
PJ30 15	PJ30 15	1.5		214	210	205	201	196	190	182	176	169	159	149	139	125	102		
	PJ30 20	2.0		266	262	259	251	246	239	230	220	209	196	181	170	151	128		
	PJ30H 20	2.0		319	312	308	300	291	281	271	260	250	236	220	204	185	151		

PJ30 05

Suction Lift Depth (feet)	Discharge Pressure - PSI					Max Shut OFF PSI
	20	30	40	50	60	
	Discharge Capacity US GPM					
5	26	20	14			53
10	24	18	14			50
15	22	16	13			48
20	21	15				46
25	20	14				44

PJ30 07

Suction Lift Depth (feet)	Discharge Pressure - PSI					Max Shut OFF PSI
	20	30	40	50	60	
	Discharge Capacity US GPM					
5	28	25	20	13	8	67
10	27	24	29	12	8	65
15	27	23	18	11	7	63
20	26	22	17	10		61
25	25	21	15	8		58

PJ30 10

Suction Lift Depth (feet)	Discharge Pressure - PSI					Max Shut OFF PSI
	40	50	60	70	80	
	Discharge Capacity US GPM					
5	34	25	17			73
10	31	24	17			71
15	29	21	16			69
20	27	19				66
25	25	17				64

PJ30 15

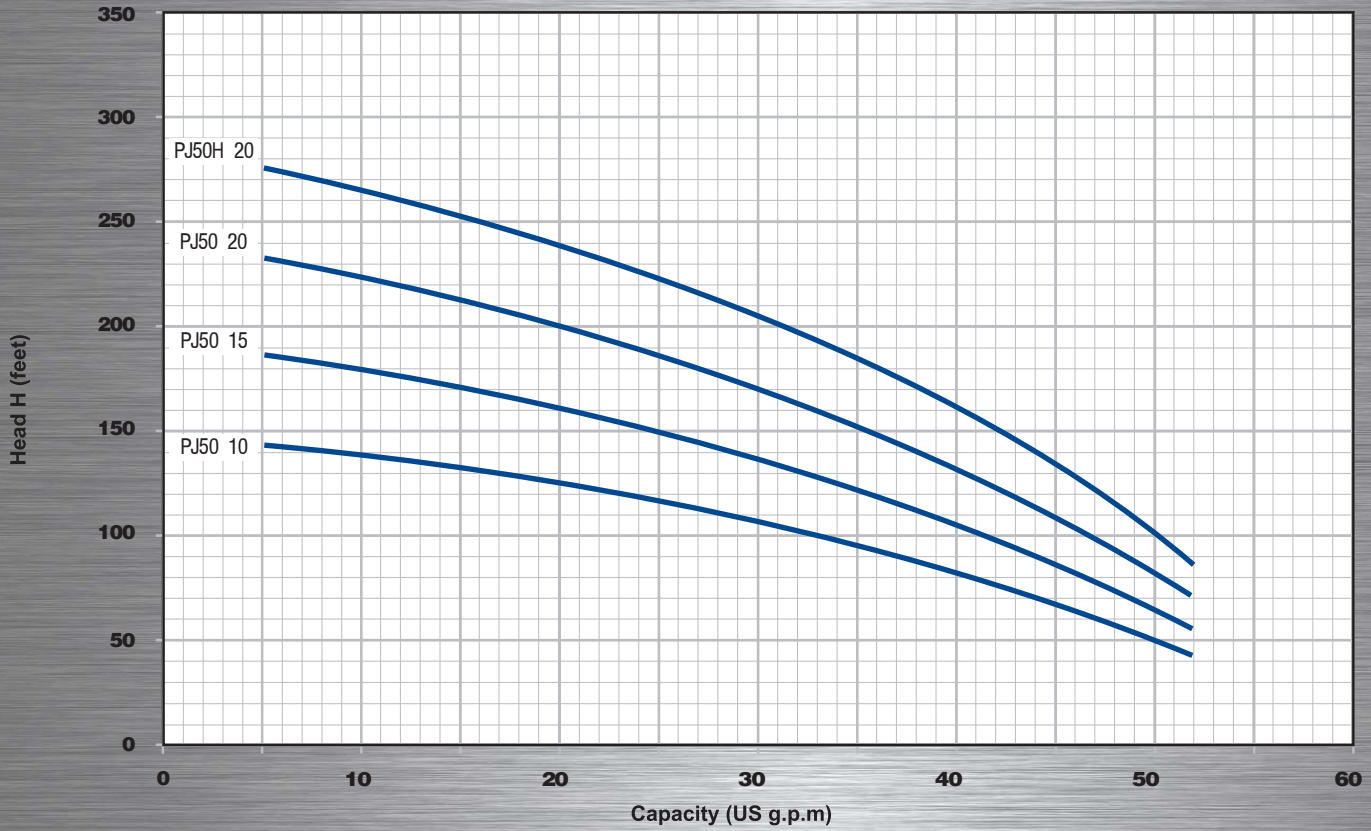
Suction Lift Depth (feet)	Discharge Pressure - PSI					Max Shut OFF PSI
	40	50	60	70	80	
	Discharge Capacity US GPM					
5	34	32	28	20	15	95
10	34	31	27	19	15	93
15	33	30	25	18	14	91
20	32	29	23	17		89
25	32	28	20	15		86

PJ30 20

Suction Lift Depth (feet)	Discharge Pressure - PSI					Max Shut OFF PSI
	60	70	80	90	100	
	Discharge Capacity US GPM					
5	34	28	25	20	15	118
10	33	27	24	19	14	116
15	31	26	23	18	14	114
20	29	26	21	17		112
25	28	25	20	15		109

PJ30H 20

Suction Lift Depth (feet)	Discharge Pressure - PSI					Max Shut OFF PSI
	60	70	80	90	100	
	Discharge Capacity US GPM					
5	34	32	30	28	24	142
10	34	32	29	27	23	140
15	33	31	29	26	23	138
20	32	31	28	25		135
25	32	30	28	24		133



MODEL		HP	CAPACITY GPM	0	5	10	15	20	25	30	35	40	45	50	52
1 PH	3 PH			H Feet											
PJ50 10	PJ50 10	1		148	141	138	131	125	118	108	95	81	68	50	42
PJ50 15	PJ50 15	1.5		191	187	181	170	160	150	137	121	105	86	65	55
	PJ50 20	2		240	233	227	211	200	186	170	151	130	110	81	70
	PJ50H 20	2		286	279	269	251	239	221	205	185	160	135	100	88

PJ 50 10

Suction Lift Depth (feet)	Discharge Pressure - PSI					Max Shut OFF PSI
	20	30	40	50	60	
	Discharge Capacity US GPM					
5	50	44	38	28	19	66
10	49	43	36	26	18	64
15	48	42	34	23	17	61
20	46	40	32	21		59
25	44	38	28	19		57

PJ 50 15

Suction Lift Depth (feet)	Discharge Pressure - PSI						Max Shut OFF PSI
	20	30	40	50	60	70	
	Discharge Capacity US GPM						
5	53	49	44	39	32	22	85
10	51	48	43	37	30	21	83
15	50	47	42	35	28	20	81
20	50	46	41	33	26		78
25	49	44	39	32	22		76

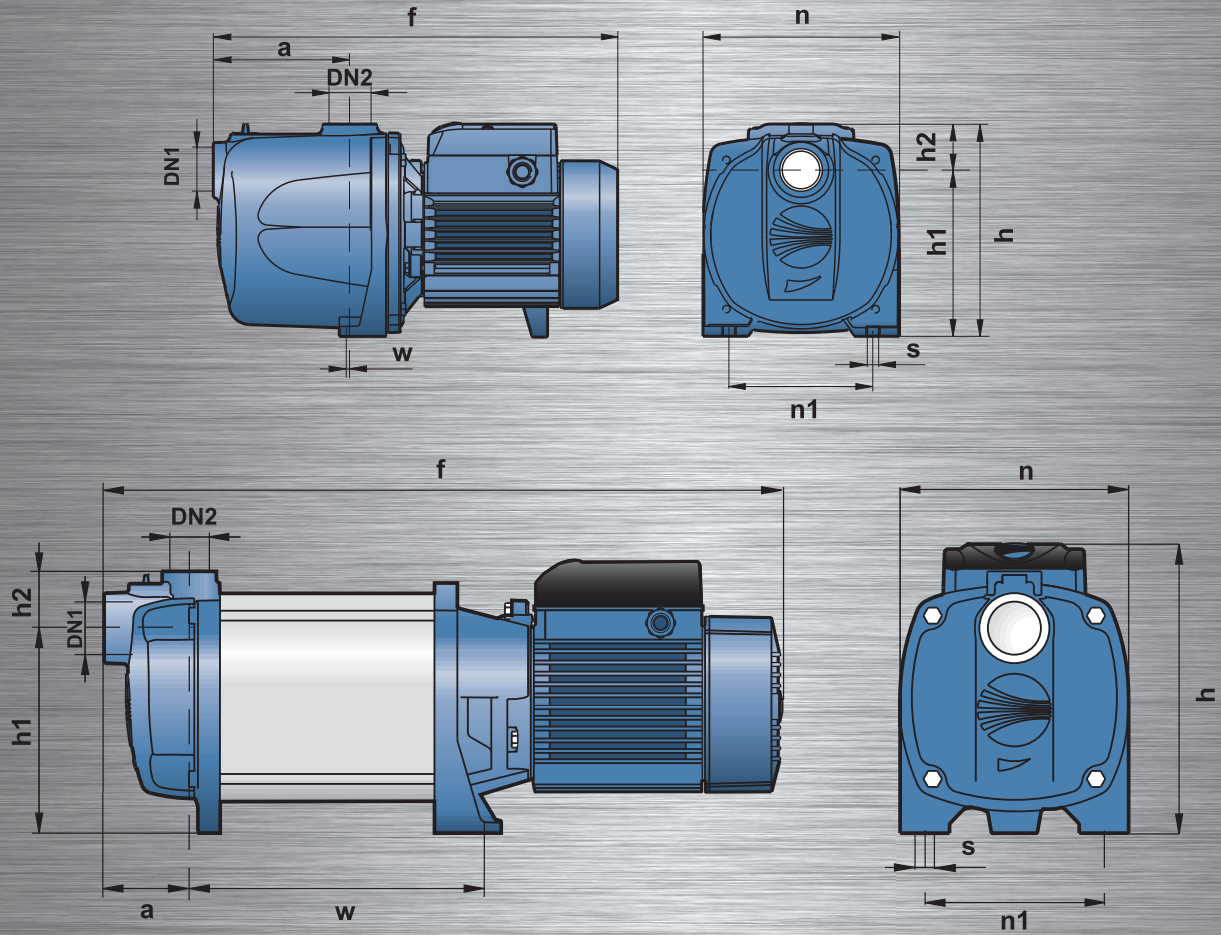
PJ 50 20

Suction Lift Depth (feet)	Discharge Pressure - PSI							Max Shut OFF PSI
	30	40	50	60	70	80	90	
	Discharge Capacity US GPM							
5	53	49	45	42	34	32	22	107
10	52	48	44	41	34	30	21	105
15	51	47	43	39	33	28	20	102
20	50	46	43	37	32	25		100
25	49	45	42	34	32	22		98

PJ 50H 20

Suction Lift Depth (feet)	Discharge Pressure - PSI								Max Shut OFF PSI
	30	40	50	60	70	80	90	100	
	Discharge Capacity US GPM								
5	53	51	49	47	41	39	32	25	127
10	53	51	48	46	41	38	30	25	125
15	52	50	48	45	40	37	28	23	123
20	50	50	47	43	39	35	27		121
25	51	49	47	41	39	32	25		118

DIMENSIONS AND WEIGHTS



MODEL		DISCH		N° Stages	DIMENSIONS INCHES									LBS	
1 PH	3PH	DN1	DN2		a	f	h	h1	h2	n	n1	w	s	1~	3~
PJ20 04	PJ20 04	1"	1"	3	4.3	13.1	6.8	5.3	1.5	6.2	4.6	0.1	0.4	20.7	19.6
PJ20 05	PJ20 05	1"		4	5.3	14.4/14.1	6.8	5.3	1.5	6.2	4.6	0.1		23.8	22.5
PJ20 10	PJ20 10	1 1/4"		5	2.7	25.0	9.1	6.0	1.8	7.3	5.7	12.0		56.3	51.9
PJ20 15	PJ20 15	1 1/4"		6	2.7	26.2	9.1	6.0	1.8	7.3	5.7	13.2		60.7	59.6
PJ30 05	PJ30 05	1"		3	4.3	13.5/13.1	6.8	5.3	1.5	6.2	4.6	0.1		22.5	20.7
PJ30 07	PJ30 07	1"		4	5.3	14.9	6.8	5.3	2.4	6.2	4.6	0.1		29.6	27.1
PJ30 10	PJ30 10	1 1/4"		3	2.7	22.5	9.1	6.0	1.8	7.3	5.7	9.5		51.9	47.7
PJ30 15	PJ30 15	1 1/4"		4	2.7	23.7	9.1	6.0	1.8	7.3	5.7	10.7		57.2	55.2
	PJ30 20	1 1/4"		5	2.7	25.0	9.1	6.0	1.8	7.3	5.7	12.0			59.6
	PJ30H 20	1 1/4"		6	2.7	26.2	9.1	6.0	1.8	7.3	5.7	13.2			64.0
PJ50 10	PJ50 10	1 1/4"		3	2.7	22.5	9.1	6.0	1.8	7.3	5.7	9.5		51.9	47.7
PJ50 15	PJ50 15	1 1/4"		4	2.7	23.7	9.1	6.0	1.8	7.3	5.7	10.7		57.2	55.2
	PJ50 20	1 1/4"		5	2.7	25.0	9.1	6.0	1.8	7.3	5.7	12.0			59.6
	PJ50H 20	1 1/4"		6	2.7	26.2	9.1	6.0	1.8	7.3	5.7	13.2			64.0

3-4 CP

multi-stage centrifugal pumps

Particularly quiet running with high efficiency and low power consumption.
Suitable for domestic applications.



RANGE OF PERFORMANCE

Capacity up to 34 gpm
Head up to 164 ft

LIMITS OF USE

Manometric suction lift up to 23 ft
Liquid temperature up to + 104°F
Environment temperature up to + 104°F

CONSTRUCTION AND SAFETY STANDARDS

EN 60 335-1 EN 60034-1
IEC 335-1 IEC 34-1
CEI 61-150 CEI 2-3



INSTALLATION AND USE

They are recommended for pumping clean water and liquids that are chemically non aggressive to the materials from which the pump is made.

DUE TO THEIR RELIABILITY, QUIET RUNNING AND LOW MAINTENANCE, THEY ARE SUITABLE FOR DOMESTIC APPLICATIONS INCLUDING WATER SUPPLIES (AS A PRESSURE SET), GARDEN IRRIGATION, ETC.

It is recommended to install the pumps in enclosed places in enclosed places, or at least protected against inclement weather.

GUARANTEE 2 YEAR subject to our general terms of sale.

CONSTRUCTION CHARACTERISTICS

PUMP BODY: cast iron, with threaded ports.

BODY BACK-PLATE: stainless steel AISI 304.

IMPELLERS: of the type with centrifugal radial flow, made of technopolymer (approved for drinking water).

MOTOR SHAFT: stainless steel EN 10088-3 - 1.4104

MECHANICAL SEAL: ceramic - graphite - NBR.

ELECTRIC MOTOR: the pumps are close-coupled to a carefully matched PEDROLLO electric motor, quiet running, totally enclosed fan cooled (TEFC), suitable for continuous duty.

3-4CP: single-phase 115 V or 230 V - 60 Hz with capacitor and thermal overload protector.

3-4CP: three-phase 230/460 V - 60 Hz.

INSULATION: class F. • **PROTECTION:** IP 44.

REGISTERED MODEL

OPTIONS ON REQUEST

other voltages or frequency 50 Hz

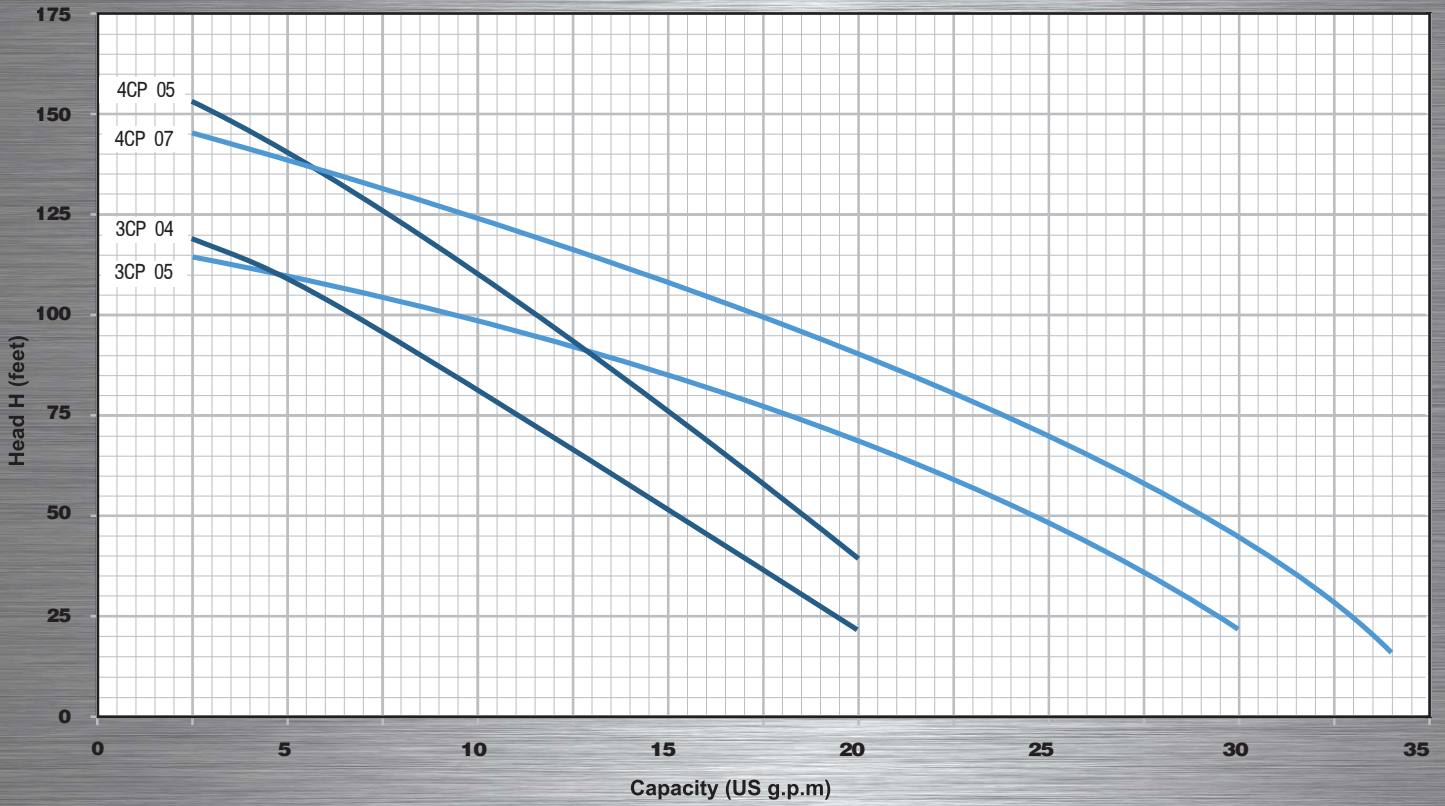


 tech support (954) 474 9090

 www.pdwatersystems.com

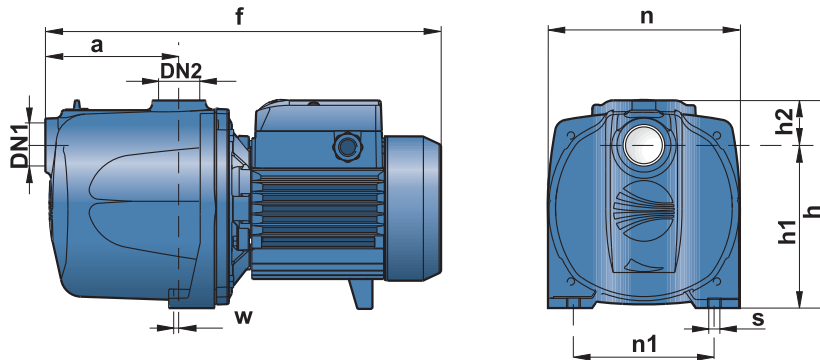
 customerservice@pdwatersystems.com

CURVES AND PERFORMANCE DATA



MODEL		HP	CAPACITY GPM	0	2.5	5	7.5	10	12.5	15	17.5	20	22.5	25	27.5	30	32.5	34	
1 PH	3 PH			H Feet															
3CP 04	3CP 04	0.4		125	124	110	96	82	67	51	36	22							
4CP 05	4CP 05	0.5		164	154	141	126	110	94	74	57	36							
3CP 05	3CP 05	0.5		118	115	110	105	99	92	85	77	68	59	48	36	21			
4CP 07	4CP 07	0.7		151	145	138	131	125	116	108	100	90	80	70	58	44	28	16	

DIMENSIONS AND WEIGHTS



MODEL		DISCH		DIMENSIONS INCHES									LBS	
1 PH	3PH	DN1	DN2	a	f	h	h1	h2	n	n1	w	s	1~	3~
3CP 04	3CP 04	1"	1"	4.3	13.1	6.8	5.3	1.5	6.2	4.6	0.1	0.4	19	19
4CP 05	4CP 05			5.3	14.5/14.2								20.8	19.7
3CP 05	3CP 05			4.3	13.5/13.2	23.9		22.5						
4CP 07	4CP 07			5.3	14.9	7.5		2.4					22.5	20.8

3-4 CR

multi-stage centrifugal pumps
stainless steel pump body

Particularly quiet running with
high efficiency and low power
consumption.
Suitable for domestic
applications.



RANGE OF PERFORMANCE

Capacity up to 31 gpm
Head up to 164 ft

LIMITS OF USE

Manometric suction lift up to 23 ft
Liquid temperature up to + 104°F
Environment temperature up to + 104°F

CONSTRUCTION AND SAFETY STANDARDS

EN 60 335-1 EN 60034-1
IEC 335-1 IEC 34-1
CEI 61-150 CEI 2-3



INSTALLATION AND USE

They are recommended for pumping clean water and liquids that are chemically non aggressive to the materials from which the pump is made.

DUE TO THEIR RELIABILITY AND QUIET RUNNING, THEY ARE SUITABLE FOR RESIDENTIAL APPLICATIONS INCLUDING WATER SUPPLIES (AS A PRESSURE SET), GARDEN IRRIGATION, ETC.

It is recommended to install the pumps in enclosed places in enclosed places, or at least protected against inclement weather.

GUARANTEE 2 YEAR subject to our general terms of sale.

CONSTRUCTION CHARACTERISTICS

PUMP BODY: stainless steel AISI 304, with threaded ports.
BODY BACK-PLATE: stainless steel AISI 304.

IMPELLERS: of the type with centrifugal radial flow, made of technopolymer (approved for drinking water).

MOTOR SHAFT: stainless steel EN 10088-3 - 1.4104.

MECHANICAL SEAL: ceramic - graphite - NBR.

ELECTRIC MOTOR: the pumps are close-coupled to a carefully matched PEDROLLO electric motor, quiet running, totally enclosed fan cooled (TEFC), suitable for continuous duty.

3-4CR: single-phase 115 V or 230 V - 60 Hz with capacitor and thermal overload protector.

3-4CR: three-phase 230/460 V - 60 Hz.

INSULATION: class F. • **PROTECTION:** IP 44

OPTIONS ON REQUEST

special mechanical seal
other voltages or frequency 50 Hz

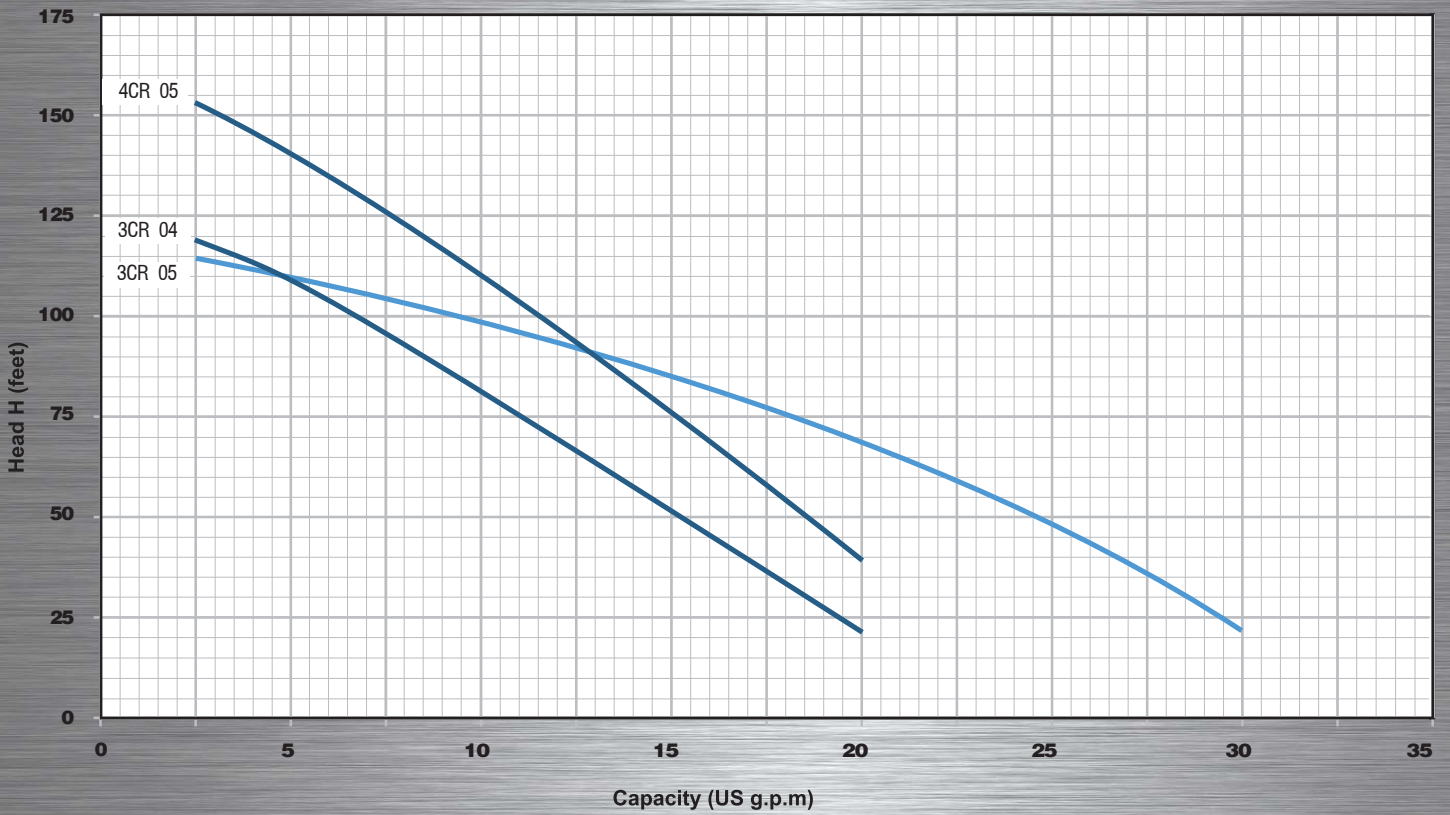


 tech support (954) 474 9090

 www.pdwatersystems.com

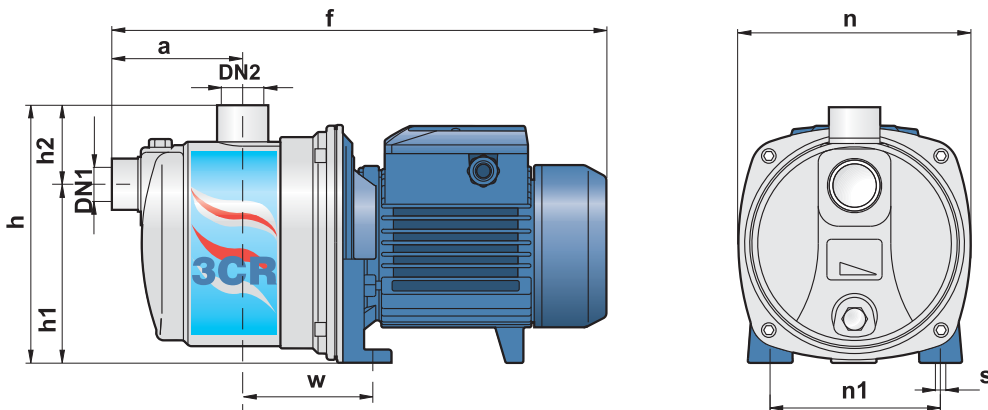
 customerservice@pdwatersystems.com

CURVES AND PERFORMANCE DATA



MODEL		HP	CAPACITY GPM	0	2.5	5	7.5	10	12.5	15	17.5	20	22.5	25	27.5	30
1 PH	3 PH			H Feet												
3CR 04	3CR 04	0.4		125	124	110	96	82	67	51	36	22				
4CR 05	4CR 05	0.5		164	154	141	126	110	94	74	57	36				
3CR 05	3CR 05	0.5		118	115	110	105	99	92	85	77	68	59	48	36	21

DIMENSIONS AND WEIGHTS



MODEL		DISCH		DIMENSIONS INCHES									LBS	
1 PH	3PH	DN1	DN2	a	f	h	h1	h2	n	n1	w	s	1~	3~
3CR 04	3CR 04	1"	1"	3.5	13.6	6.9	4.8	2.0	6.3	4.7	3.7	0.4	15.2	13.9
4CR 05	4CR 05				13.9/13.6								16.8	15.2
3CR 05	3CR 05				13.9/13.7								16.5	15.2

AR

stainless steel
centrifugal end
suction pump



RANGE OF PERFORMANCE

Maximum capacity 47 gpm
Maximum head 105 ft

LIMITS OF USE

Manometric suction lift up to 23 ft
Liquid temperature up to + 195°F
Environment temperature up to + 130°F

CONSTRUCTION AND SAFETY STANDARDS

EN 60034-1
IEC 34-1
CEI 2-3



INSTALLATION AND USE

It is recommended for pumping clean water and liquids that are chemically non aggressive to the materials from which the pump is made.

THE CONSTRUCTION OF THESE CENTRIFUGAL PUMPS MAKES THEM SUITABLE FOR USE IN THE DOMESTIC, AGRICULTURAL AND INDUSTRIAL SECTOR. ALL THE WETTED PARTS ARE IN STAINLESS STEEL AISI 340 TO GUARANTEE TOTAL HYGIENE AND MAXIMUM RESISTANCE TO CORROSION.

It is recommended to install the pumps in enclosed places, or at least protected against inclement weather.

GUARANTEE 2 YEAR subject to our general terms of sale.

CONSTRUCTION CHARACTERISTICS

PUMP BODY: stainless steel AISI 304, with threaded ports.

BODY BACK-PLATE AND DIFFUSER: AISI 304.

IMPELLER: stainless steel AISI 304, of the type with centrifugal radial flow.

MOTOR SHAFT: stainless steel EN 10088-3 - 1.4104.

MECHANICAL SEAL: ceramic - graphite - NBR.

ELECTRIC MOTOR: the pumps are close-coupled to a carefully matched PEDROLLO electric motor, quiet running, totally enclosed fan cooled (TEFC), suitable for continuous duty.

AR 10: single-phase 115 V or 230 V - 60 Hz with capacitor and thermal overload protector.

AR 10: three-phase 230/460 V - 60 Hz.

INSULATION : class F. • **PROTECTION:** IP 44.

REGISTERED MODEL n° 72753.

OPTIONS ON REQUEST

version in stainless steel EN 10088-3 - 1.4401 (AISI 316)
special mechanical seal
other voltages or frequency 50 Hz

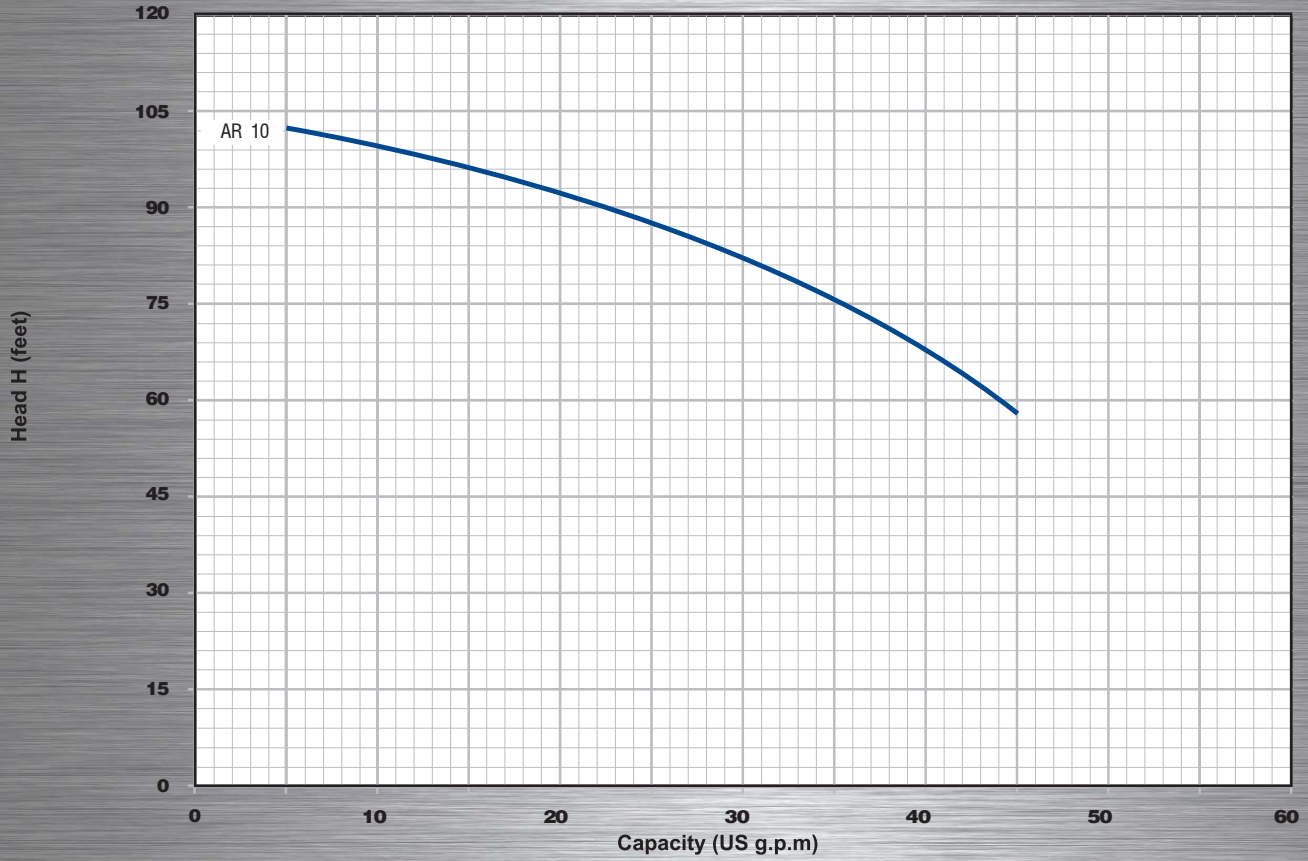


tech support (954) 474 9090

www.pdwatersystems.com

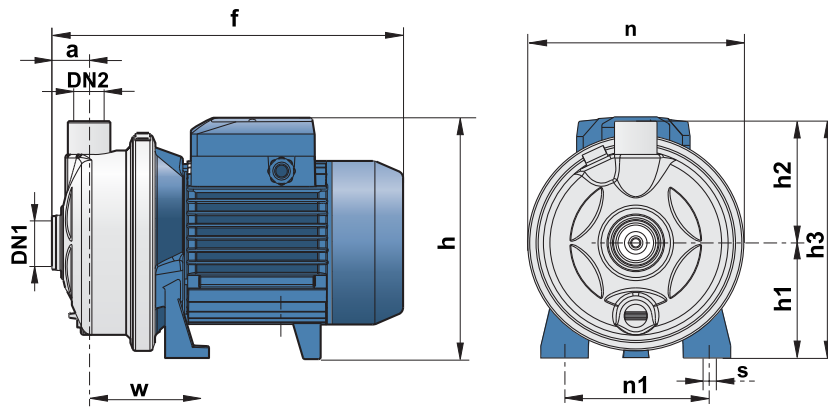
customerservice@pdwatersystems.com

CURVES AND PERFORMANCE DATA



MODEL		HP	CAPACITY GPM	0	5	10	15	20	25	30	35	40	45
1 PH	3 PH												
AR 10	AR 10	1.0	H Feet	105	102	100	96	92	88	82	76	67	58

DIMENSIONS AND WEIGHTS



MODEL		DISCH		DIMENSIONS INCHES										LBS	
1 PH	3PH	DN1	DN2	a	f	h	h1	h2	h3	n	n1	w	s	1~	3~
AR 10	AR 10	1 1/4"	1"	1.2	11.6	8.1	3.8	4.1	7.9	7.2	4.5	3.7	0.4	20.1	

PRO-NGA

stainless steel pumps

Centrifugal pumps made of stainless steel AISI 316, equipped with an open impeller, ideal for transferring liquids containing impurities.



RANGE OF PERFORMANCE

Capacity up to 92 gpm
Head up to 66 ft

LIMITS OF USE

Manometric suction lift up to 23 ft
Liquid temperature up to + 194°F
Environment temperature up to + 104°F
Solid Handling Ø 3/8"

CONSTRUCTION AND SAFETY STANDARDS

EN 60034-1
IEC 34-1
CEI 2-3



INSTALLATION AND USE

They are recommended for pumping water and liquids that are chemically non aggressive to the materials from which the pump is made.

THE OPEN IMPELLER DESIGN ALLOWS THE PUMPING OF LIQUIDS WITH RELATIVELY HIGH LEVELS OF IMPURITIES WITHOUT RISK OF CLOGGING THE IMPELLER. FOR THIS REASON THE PRO-NGA SERIES ARE SUITABLE FOR USE IN SYSTEMS FOR WASHING FRUIT, VEGETABLES, FISH, SHELLFISH, MEAT, IN INDUSTRIAL SYSTEMS FOR WASHING METAL PARTS, GLASS CONTAINERS, AND FOR THE CIRCULATION OF COOLING LIQUIDS.

It is recommended to install the pumps in enclosed places, or at least protected against inclement weather.

GUARANTEE 2 YEAR

 subject to our general terms of sale.

CONSTRUCTION CHARACTERISTICS

PUMP BODY: stainless steel AISI 316, with threaded ports.

BODY BACK-PLATE: stainless steel AISI 316.

OPEN IMPELLER: stainless steel AISI 316.

MOTOR SHAFT: stainless steel AISI 316.

MECHANICAL SEAL: ceramic - graphite - viton - AISI 316

ELECTRIC MOTOR: the pumps are close-coupled to a carefully matched PEDROLLO electric motor, quiet running, totally enclosed fan cooled (TEFC), suitable for continuous duty.

PNGA: single-phase 115 V or 230 V - 60 Hz with capacitor and thermal overload protector.

PNGA: three-phase 230/460 V - 60 Hz.

INSULATION: class F. • **PROTECTION:** IP 44.

OPTIONS ON REQUEST

special mechanical seal
other voltages or frequency 50 Hz
protection IP 55

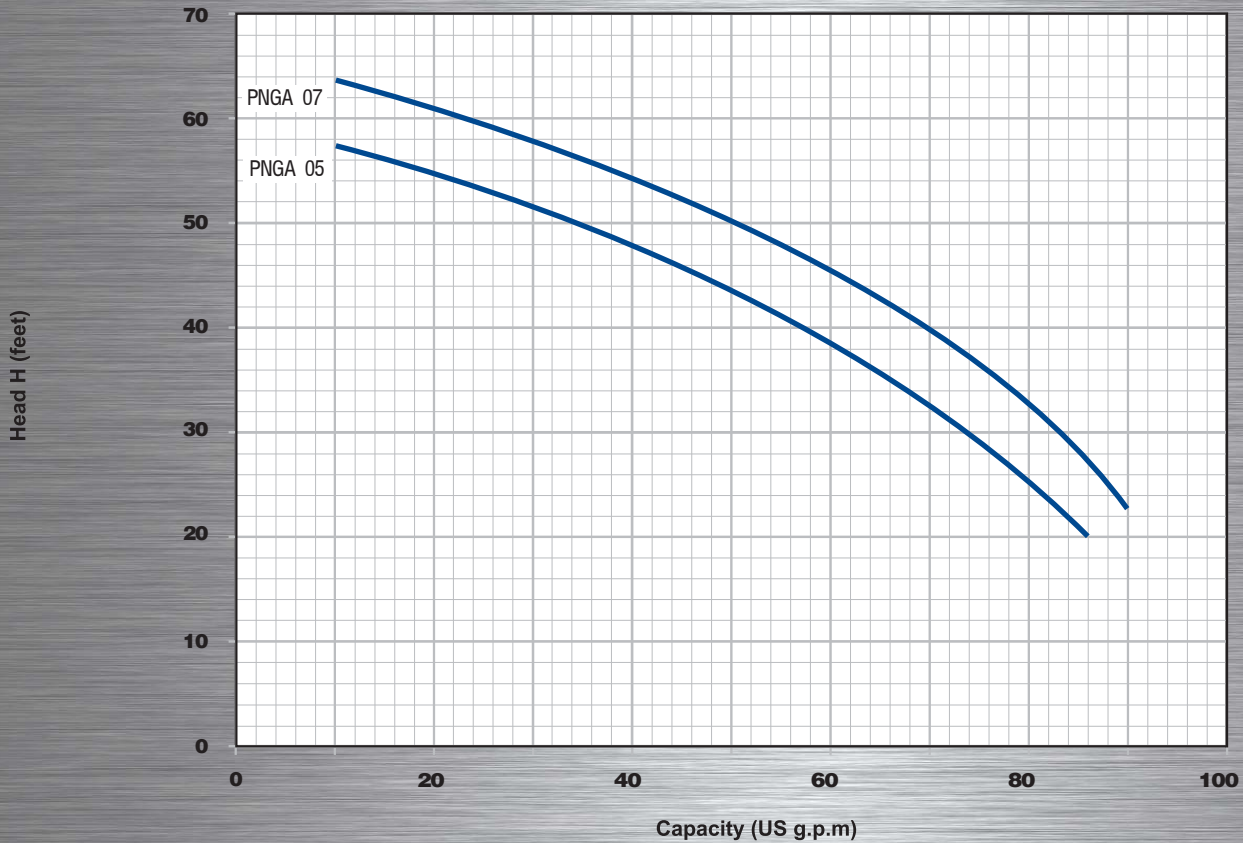


 tech support (954) 474 9090

 www.pdwatersystems.com

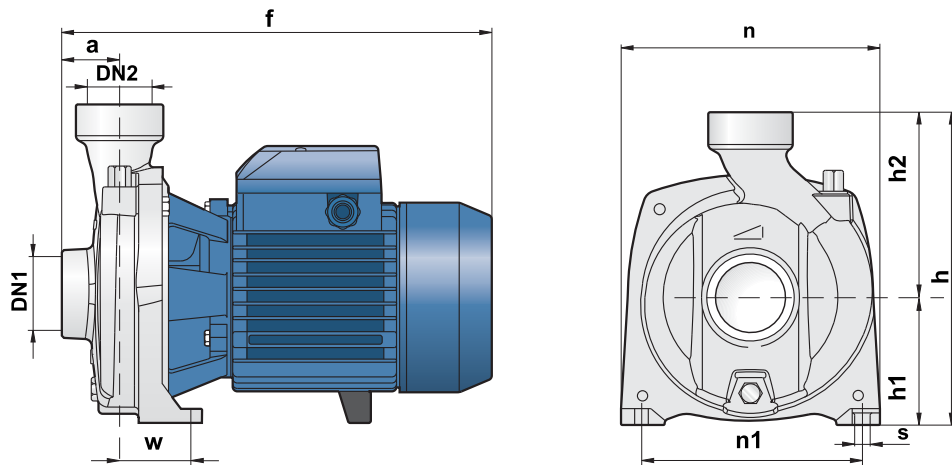
 customerservice@pdwatersystems.com

CURVES AND PERFORMANCE DATA



MODEL		HP	CAPACITY GPM	0	10	20	30	40	50	60	70	80	90
1 PH	3 PH			H Feet									
PNGA 05	PNGA 05	0.5	H Feet	59	57	55	52	48	44	38	33	25	
PNGA 07	PNGA 07	0.7		66	64	61	58	54	50	45	40	33	23

DIMENSIONS AND WEIGHTS



MODEL		DISCH		DIMENSIONS INCHES									LBS	
1 PH	3PH	DN1	DN2	a	f	h	h1	h2	n	n1	w	s	1~	3~
PNGA 05	PNGA 05	1 1/2"	1 1/2"	1.6	11.7	8.9	3.6	5.3	7.5	6.3	2.0	0.4	28.7	26.5
PNGA 07	PNGA 07												29.0	26.7

CP

centrifugal end
suction pumps



RANGE OF PERFORMANCE

Capacity up to 42 gpm
Head up to 168 ft

LIMITS OF USE

Manometric suction lift up to 23 ft
Liquid temperature up to + 194°F
Liquid temperature up to + 104°F in the CPX version
(with technopolymer impeller)
Environment temperature up to + 104°F

CONSTRUCTION AND SAFETY STANDARDS

EN 60034-1
IEC 34-1
CEI 2-3



INSTALLATION AND USE

They are recommended for pumping clean water and liquids that are chemically non aggressive to the materials from which the pump is made.

RELIABLE AND MAINTENANCE FREE THEY ARE WIDELY USED IN THE DOMESTIC AND CIVIL SECTOR, IN PARTICULAR FOR WATER DISTRIBUTION IN COMBINATION WITH SMALL OR MEDIUM PRESSURE SETS, FOR TRANSFER IN GENERAL, FOR IRRIGATING GARDENS.

It is recommended to install the pumps in enclosed places, or at least protected against inclement weather.

GUARANTEE 2 YEAR subject to our general terms of sale.

CONSTRUCTION CHARACTERISTICS

PUMP BODY: cast iron, with threaded ports.

BODY BACK-PLATE: stainless steel AISI 304 or cast iron on higher powered models.

BRASS IMPELLER

MOTOR SHAFT: stainless steel EN 10088-3 - 1.4104.

MECHANICAL SEAL: ceramic - graphite - NBR.

ELECTRIC MOTOR: the pumps are close-coupled to a carefully matched PEDROLLO electric motor, quiet running, totally enclosed fan cooled (TEFC), suitable for continuous duty.

CP: single-phase 115 V or 230 V - 60 Hz with capacitor and thermal overload protector built into the winding.

CP: three-phase 230/460 V - 60 Hz.

INSULATION: class F. • **PROTECTION:** IP 44.

REGISTERED MODEL n° 72753.

OPTIONS ON REQUEST

impeller in **technopolymer** (CP...X - CP...X)

special mechanical seal

other voltages or frequency 50 Hz

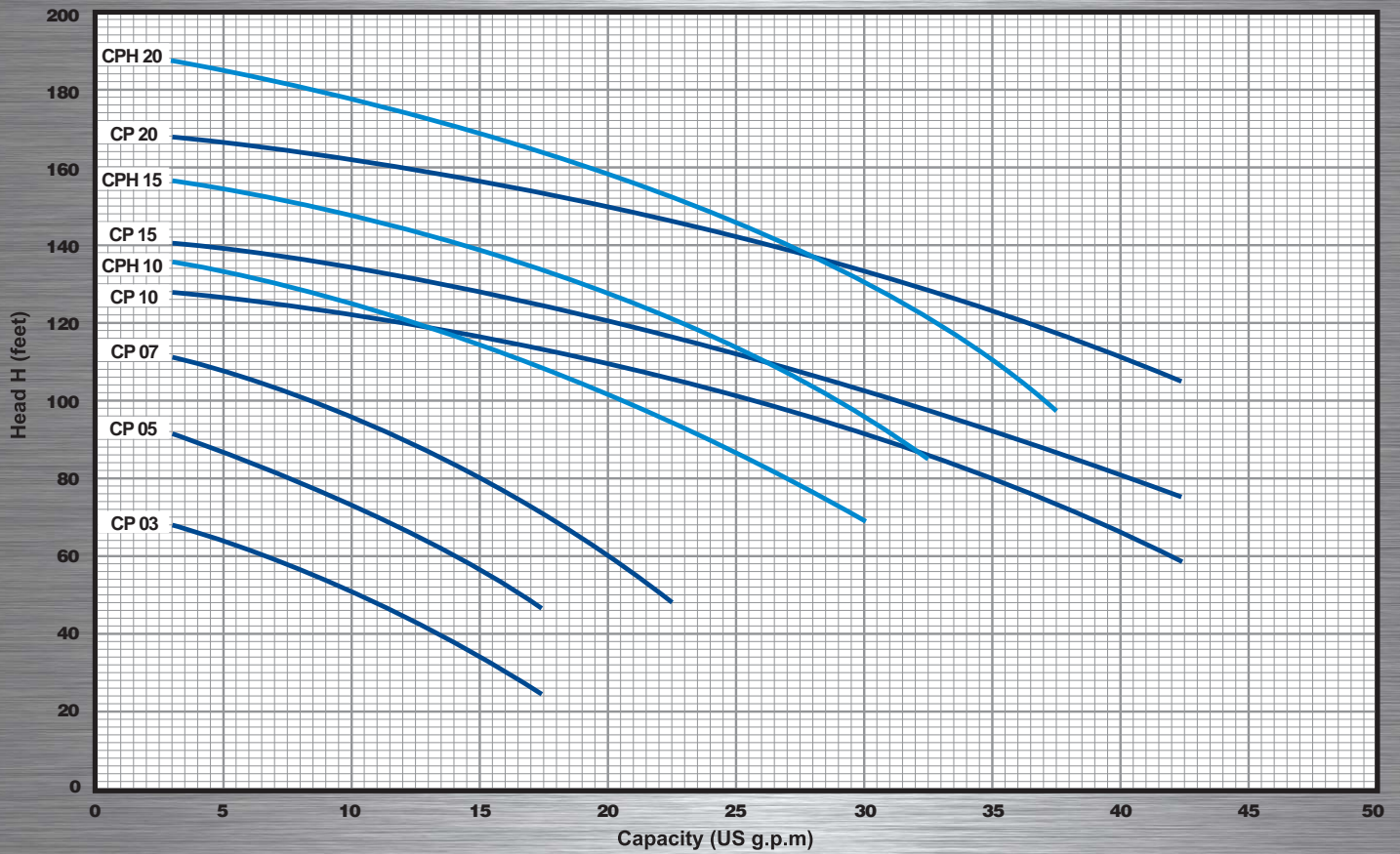


tech support (954) 474 9090

www.pdwatersystems.com

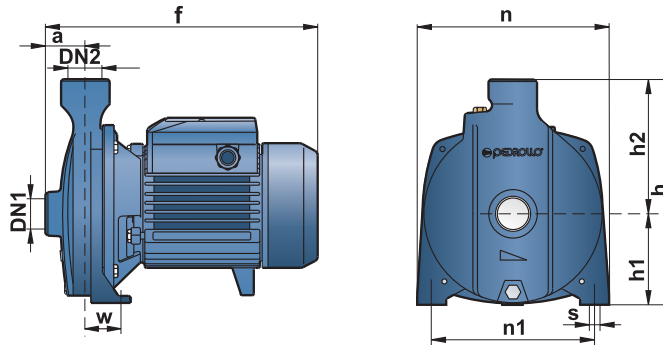
customerservice@pdwatersystems.com

CURVES AND PERFORMANCE DATA



MODEL		HP	CAPACITY GPM	H Feet																		
1 PH	3 PH			0	2.5	5	7.5	10	12.5	15	17.5	20	22.5	25	27.5	30	32.5	35	37.5	40	42.5	
CP 03		0.33		71	68	64	58	50	43	34	24											
CP 05		0.5		99	92	86	80	72	63	56	46											
CP 07	CP 07	0.7		115	110	108	102	96	88	80	70	60	48									
CP 10	CP 10	1		128	128	126	124	122	120	116	112	110	106	102	96	90	85	80	74	66	58	
CPH 10	CPH10	1		138	136	132	129	124	120	114	108	102	94	86	78	68						
CP 15	CP 15	1.5		141	140	138	136	134	132	128	124	120	116	112	107	102	97	92	86	80	76	
CPH 15	CPH 15	1.5		158	156	154	151	148	143	138	134	128	121	114	105	94	85	80				
CP 20	CP 20	2.0		168	168	166	164	162	159	156	153	150	146	142	138	134	128	122	117	110		
CPH 20	CPH 20	2.0		187	185	184	180	178	173	168	164	158	152	146	138	130	121	110	77			

DIMENSIONS AND WEIGHTS



MODEL		DISCH		DIMENSIONS INCHES										LBS	
1 PH	3PH	DN1	DN2	a	f	h	h1	h2	n	n1	w	s	1~	3~	
CP 03		1"	1"	1.4	9.7	7.4	3.0	2.8	5.8	4.6	1.8	0.4	17.2		
CP 05		1"	1"	1.3	9.7	7.4	3.0	2.8	5.8	4.6	1.8	0.4	15.0	15.2	
CP 07	CP 07	1"	1"	1.7	11.2	9.2	3.6	5.8	7.5	6.3	1.5	0.4	25.4	26.6	
CP 10	CP 10	1 1/4"	1"	2.0	13.4	10.2	4.3	5.9	8.1	6.5	1.7	0.4	58.1	56.4	
CPH 10	CPH 10	1 1/4"	1"	1.7	11.7	9.5	3.8	5.7	7.5	6.3	1.7	0.4	26.7	25.6	
CP 15	CP 15	1 1/4"	1"	2.0	13.4	10.2	4.3	5.9	8.1	6.5	1.7	0.4	42.4	40.9	
CPH 15	CPH15	1 1/4"	1"	2.0	13.4	10.2	4.3	5.9	8.1	6.5	1.7	0.4	42.4	40.9	
CP 20	CP 20	1 1/4"	1"	2.0	13.4	10.2	4.3	5.9	8.1	6.5	1.7	0.4	55.3	53.5	
CPH 20	CPH 20	1 1/4"	1"	2.0	13.4	10.2	4.3	5.9	8.1	6.5	1.7	0.4	55.3	53.5	

CP

centrifugal pumps

Electric pumps with high efficiency motor for reduced energy consumption



RANGE OF PERFORMANCE

Capacity up to 238 gpm
Head up to 361 ft

LIMITS OF USE

Manometric suction lift up to 23 ft
Liquid temperature up to + 195°F
Environment temperature up to + 104°F

CONSTRUCTION AND SAFETY STANDARDS

EN 60034-1
IEC 34-1
CEI 2-3



INSTALLATION AND USE

They are recommended for pumping clean water and liquids that are chemically non aggressive to the materials from which the pump is made.

RELIABLE AND MAINTENANCE FREE THEY ARE WIDELY USED IN THE CIVIL, AGRICULTURAL AND INDUSTRIAL SECTORS, FOR SUPPLYING WATER, FOR CONDITIONING OR COOLING SYSTEMS, FOR IRRIGATION, ETC.

It is recommended to install the pumps in enclosed places, or at least protected against inclement weather.

GUARANTEE 2 YEAR subject to our general terms of sale.

CONSTRUCTION CHARACTERISTICS

PUMP BODY: cast iron, with threaded ports.

BODY BACK-PLATE: cast iron.

IMPELLER: brass for pumps up to 12.5 HP.

IMPELLER: cast iron for pumps from 15 to 25 HP.

MOTOR SHAFT: stainless steel EN 10088-3 - 1.4104.

MECHANICAL SEAL: ceramic - graphite - NBR.

ELECTRIC MOTOR: the pumps are close-coupled to a carefully matched PEDROLLO electric motor, **with high efficiency (class "EFF1")**, quiet running, totally enclosed fan cooled (TEFC), suitable for continuous duty.

CP: single phase 230V - 60 Hz

CP: three-phase 230/460 V - 60 Hz

INSULATION: class F. • **PROTECTION:** IP 44.

REGISTERED MODEL n° 72753
PATENTED ELECTRIC MOTOR

OPTIONS ON REQUEST

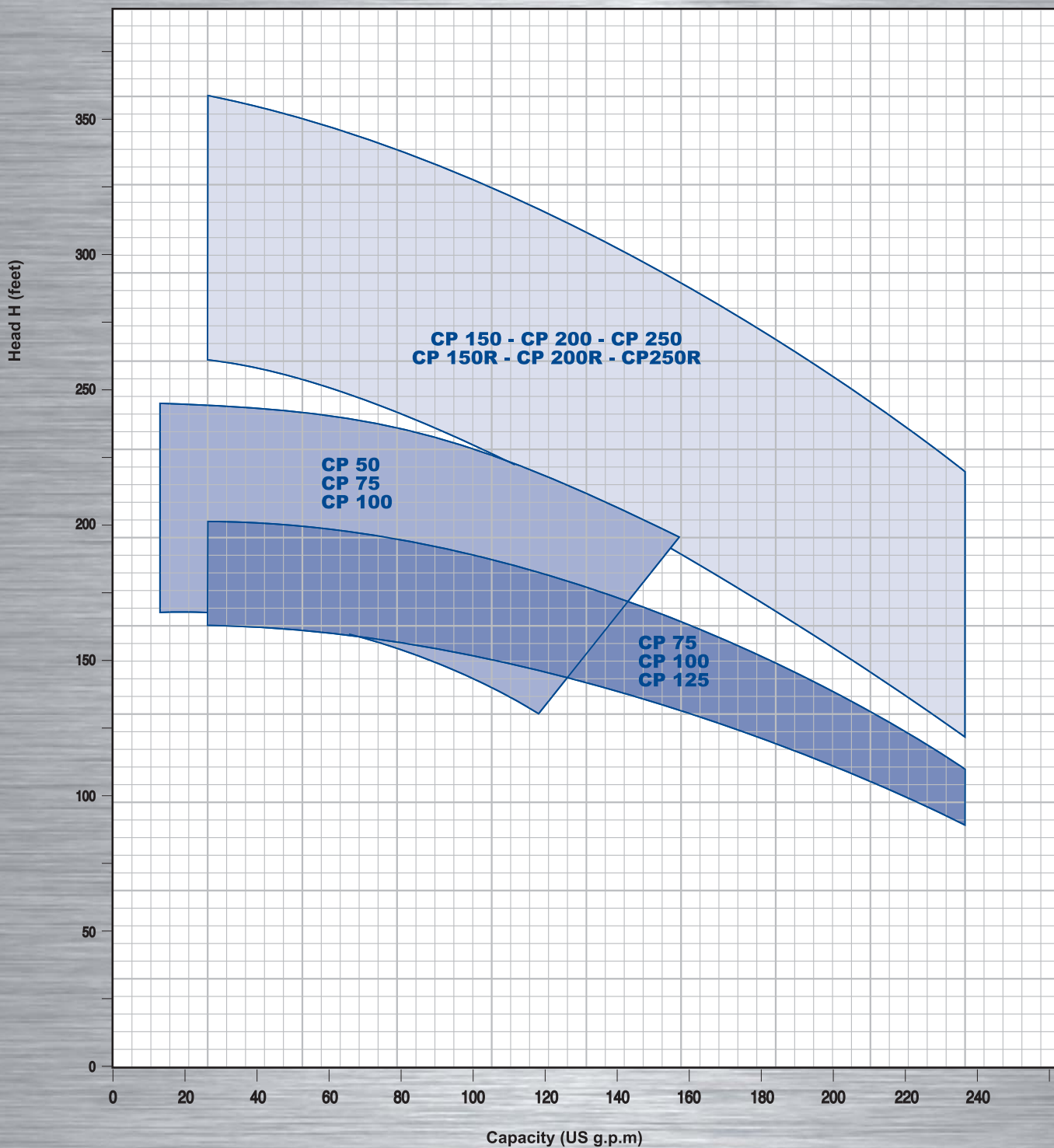
pump shaft in stainless steel EN 10088-3 - 1.4401 (AISI 316)
special mechanical seal
protection IP 55

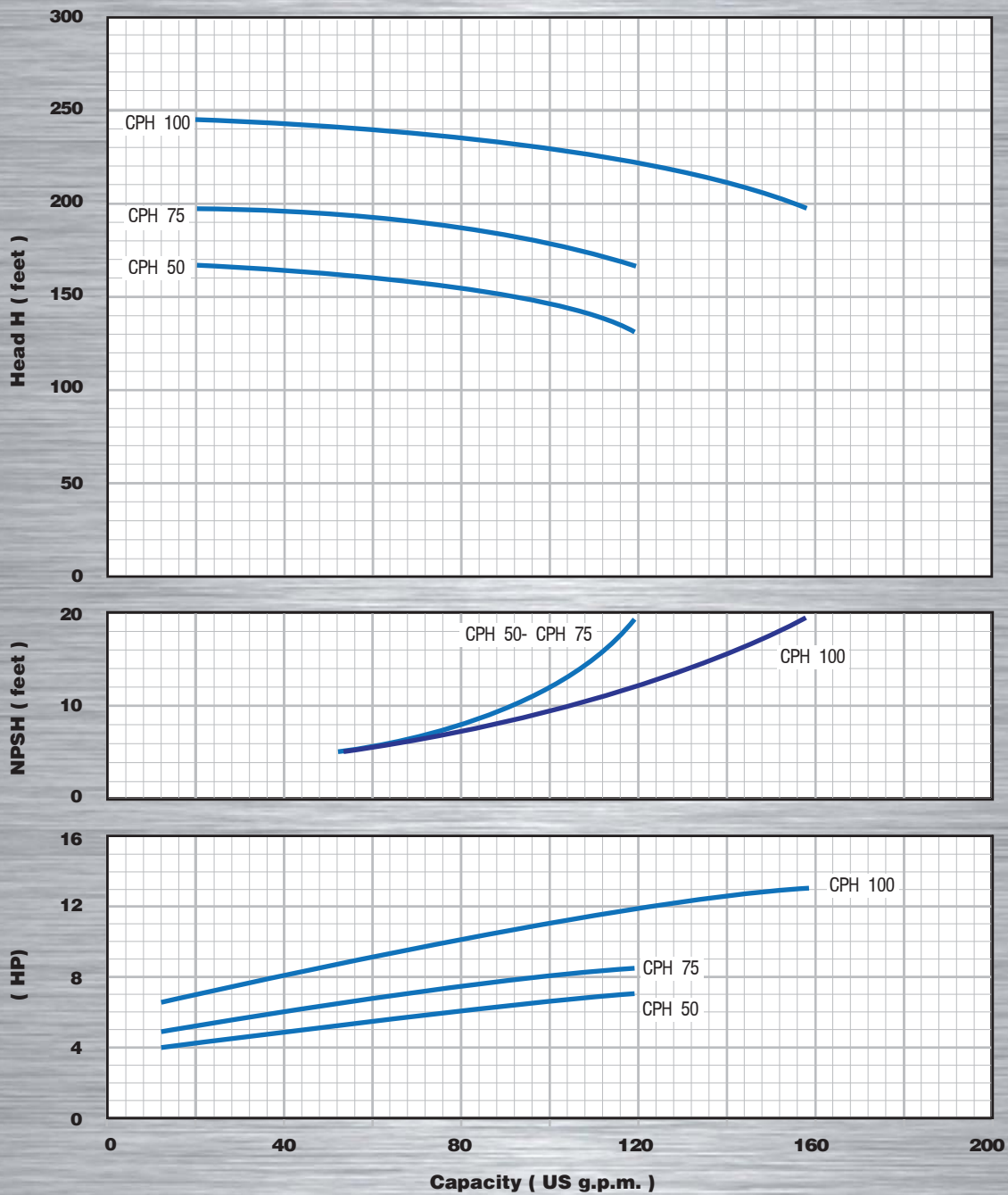


 tech support (954) 474 9090

 www.pdwatersystems.com

 customerservice@pdwatersystems.com





MODEL		HP	CAPACITY GPM	0	20	40	60	80	100	120	140	158
1 PH	3 PH			H Feet								
CPH 50	CPH 50	5	H Feet	171	168	164	160	153	146	130		
	CPH 75	7.5		197	198	196	192	187	179	166		
	CPH 100	10		246	245	243	240	235	230	221	210	197

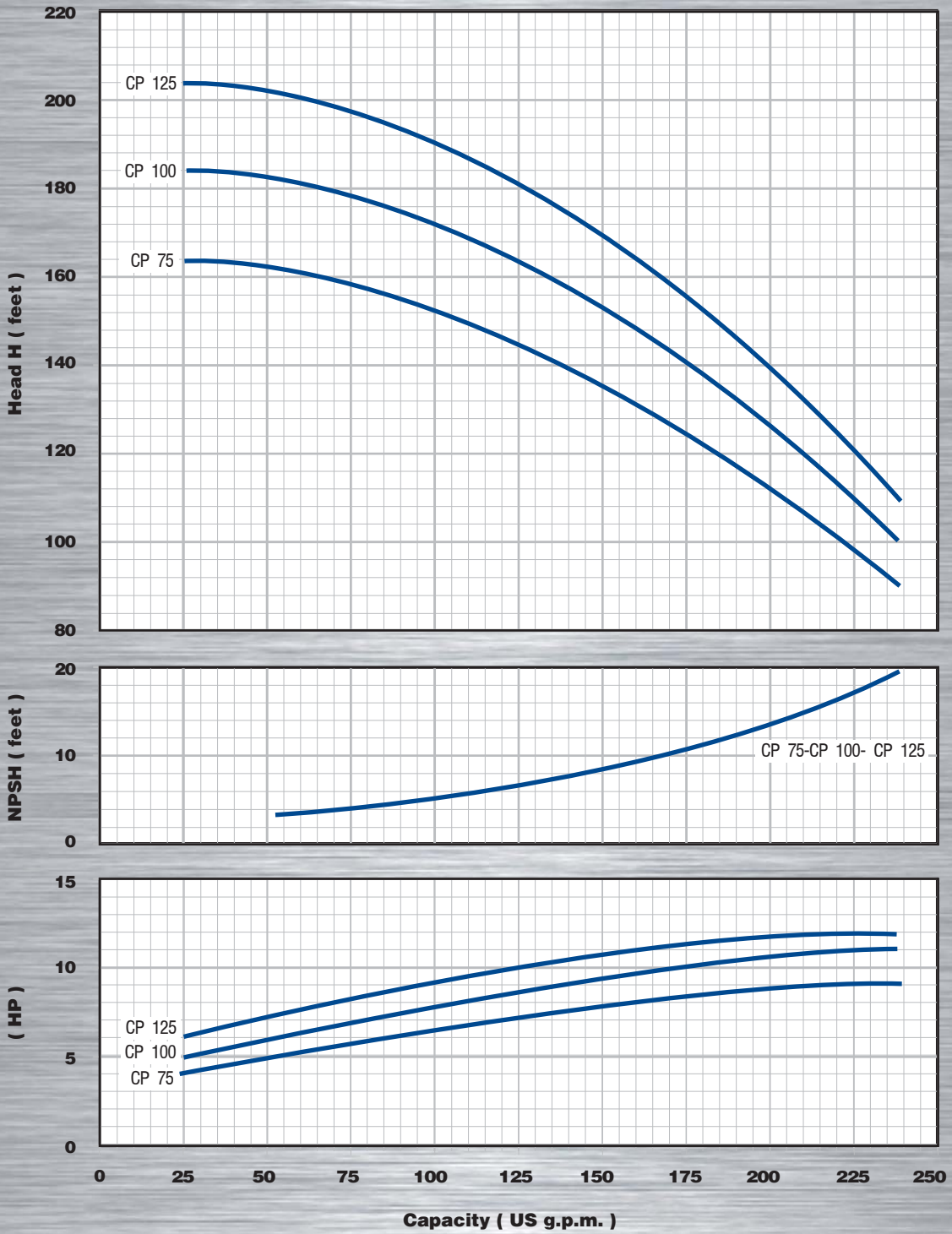


tech support (954) 474 9090

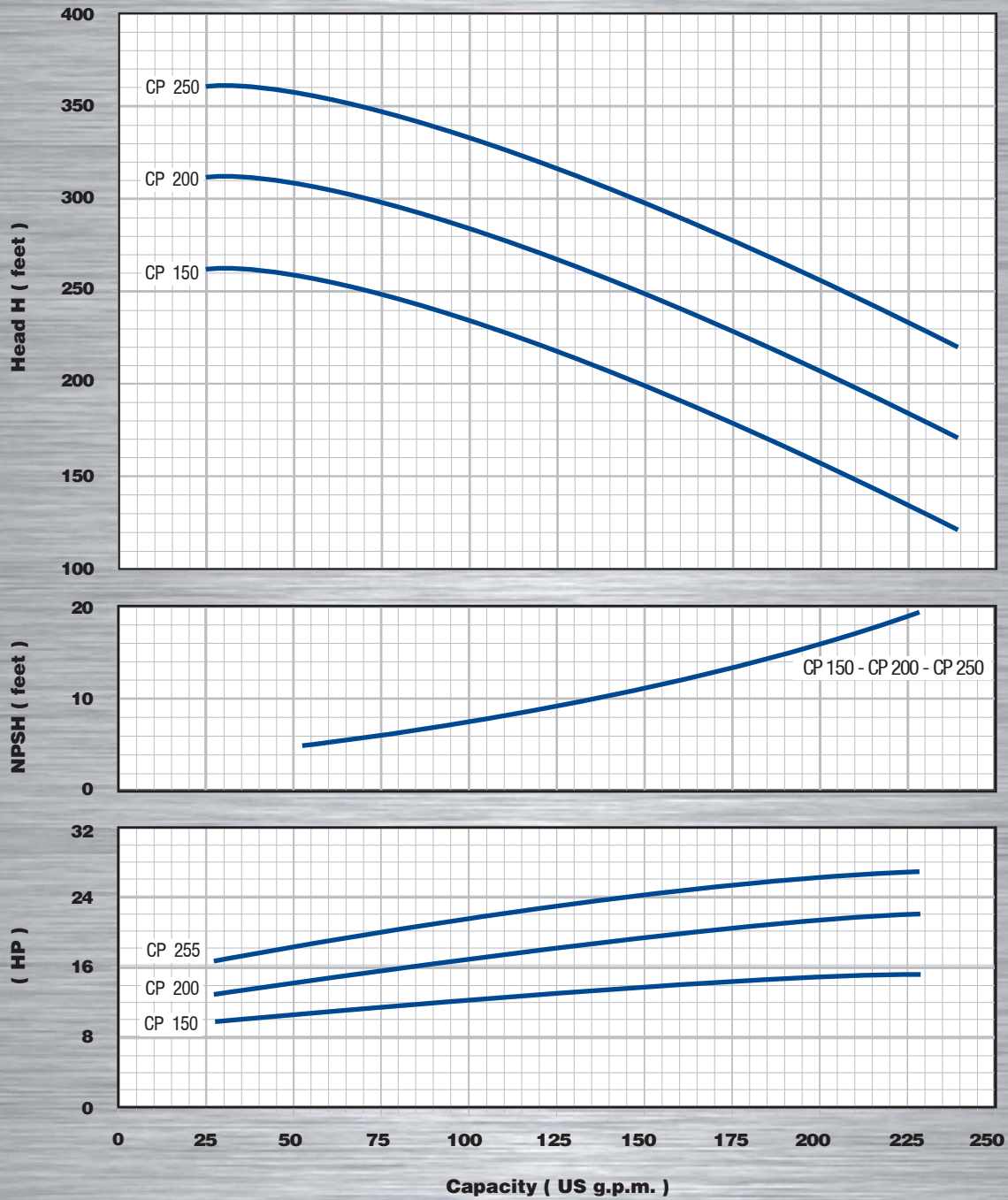
www.pdwatersystems.com

customerservice@pdwatersystems.com

CURVES AND PERFORMANCE DATA



MODEL	HP	CAPACITY GPM	0	25	50	75	100	125	150	175	200	225	238
3 PH													
CP 75	7.5	H Feet	168	164	162	158	152	145	135	125	112	98	90
CP 100	10		186	184	182	178	172	164	153	140	126	110	100
CP 125	12.5		204	204	202	197	190	181	170	156	139	120	110



MODEL	HP	CAPACITY GPM	0	25	50	75	100	125	150	175	200	225	240
3 PH													
CP 150	15	H Feet	263	263	259	246	231	215	198	180	159	134	120
CP 200	20		312	312	308	296	281	265	248	230	209	184	170
CP 250	25		361	361	357	346	331	315	298	280	249	234	220

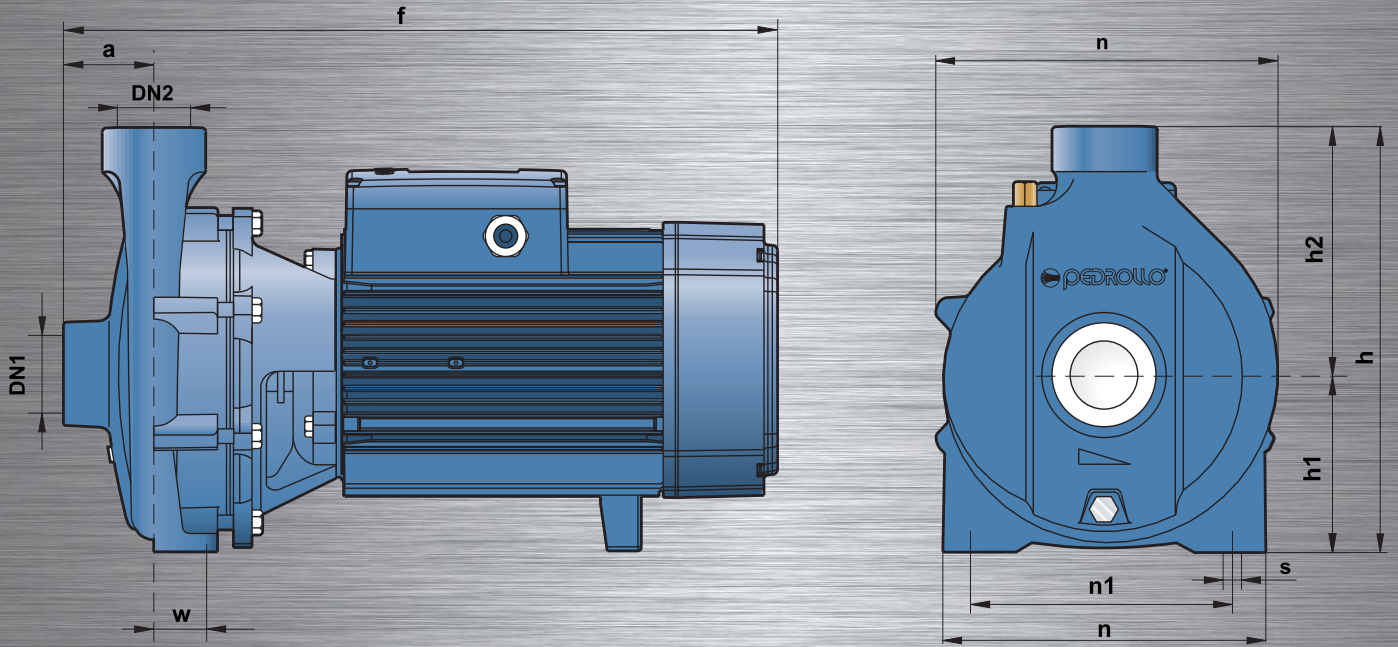


tech support (954) 474 9090

www.pdwatersystems.com

customerservice@pdwatersystems.com

DIMENSIONS AND WEIGHTS



MODEL		DISCH		DIMENSIONS INCHES										LBS	
1 PH	3PH	DN1	DN2	a	f	h	h1	h2	n	n1	n2	w	s	1~	3~
CPH 50	CPH 50	2"	2"	2.8	19.9/18.1	12.9	5.4	7.6	10.7	7.5	9.8	1.6	0.6	105.2	94.1
	CPH 75	2"	2"	2.8	19.9	12.9	5.4	7.6	10.7	7.5	9.8	1.6	0.6		105.2
	CPH 100	2"	2"	2.8	19.9	12.9	5.4	7.6	10.7	7.5	9.8	1.6	0.6		114.9
	CP 75	2"	2"	2.8	19.9	12.9	5.4	7.6	10.7	7.5	9.8	1.6	0.6		105.2
	CP 100	2"	2"	2.8	19.9	12.9	5.4	7.6	10.7	7.5	9.8	1.6	0.6		114.9
	CP 125	2"	2"	2.8	19.9	12.9	5.4	7.6	10.7	7.5	9.8	1.6	0.6		116.0
	CP 150	2"	2"	2.6	23.5	15.4	6.3	9.1	12.7	9.1	11.6	1.8	0.6		227.6
	CP 200	2"	2"	2.6	27.3	15.4	6.3	9.1	12.7	9.1	11.6	1.8	0.6		265.2
	CP 250	2"	2"	2.6	27.3	15.4	6.3	9.1	12.7	9.1	11.6	1.8	0.6		293.9

2CP

Twin-impeller centrifugal end suction pump



RANGE OF PERFORMANCE

Capacity up to 48 gpm
Head up to 223 ft

LIMITS OF USE

Manometric suction lift up to 23 ft
Liquid temperature up to + 194°F
Environment temperature up to + 88 °F

CONSTRUCTION AND SAFETY STANDARDS

EN 60034-1
IEC 34-1
CEI 2-3



INSTALLATION AND USE

They are recommended for pumping clean water and liquids that are chemically non aggressive to the materials from which the pump is made.

RELIABLE AND MAINTENANCE FREE THEY ARE WIDELY USED IN THE CIVIL, AGRICULTURAL, AND INDUSTRIAL SECTORS FOR SUPPLYING WATER FOR CONDITIONING AND COOLING SYSTEMS, FOR IRRIGATION, ETC.

The pumps must be installed in enclosed places, or at least protected against inclement weather.

GUARANTEE 2 YEAR subject to our general terms of sale.

CONSTRUCTION CHARACTERISTICS

PUMP BODY: cast iron, with threaded port ISO 228/1.

BODY BACK-PLATE: cast iron.

IMPELLER: brass.

MOTOR SHAFT: stainless steel EN 10088-3 - 1.4104.

MECHANICAL SEAL: ceramic - graphite - NBR.

ELECTRIC MOTOR: the pumps are close-coupled to a carefully matched PEDROLLO electric motor, **with high efficiency (class "EFF1")**, quiet running, totally enclosed fan cooled (TEFC), suitable for continuous duty.

2CP: three-phase 230/460 V - 60 Hz.

INSULATION: class F. **PROTECTION:** IP 44

OPTIONS ON REQUEST

special mechanical seal
other voltages or frequency 50 Hz

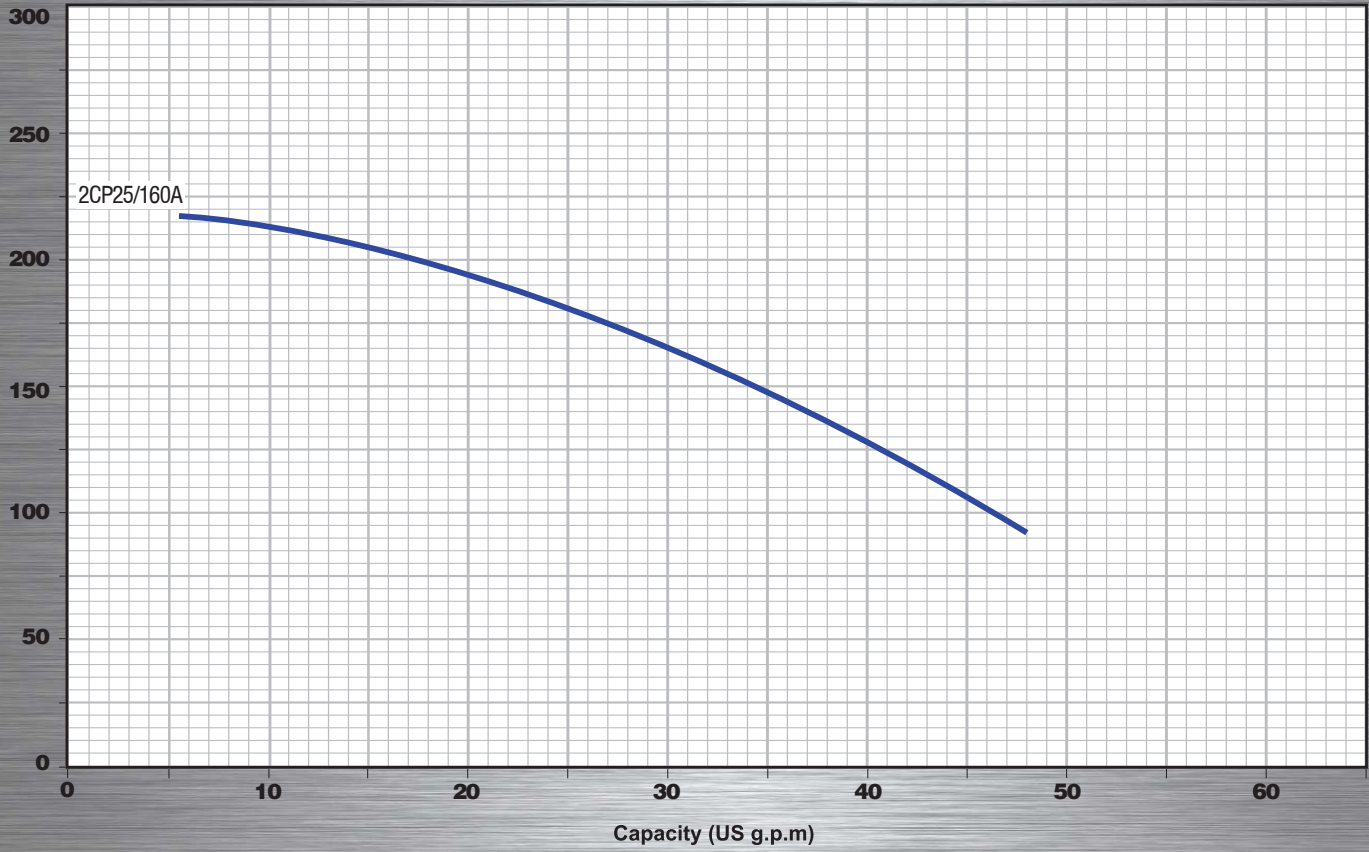


tech support (954) 474 9090

www.pdwatersystems.com

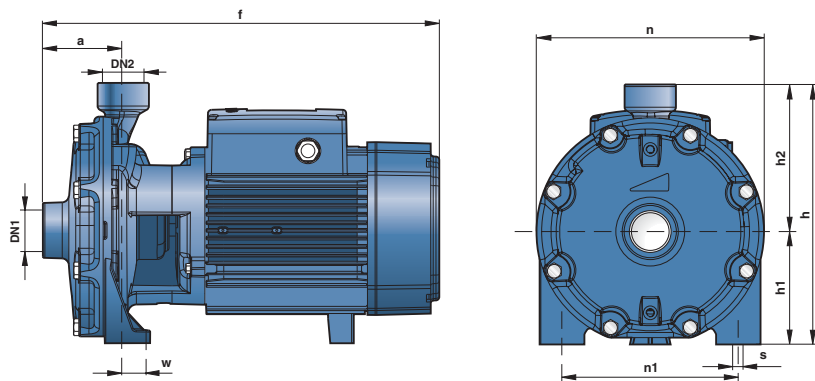
customerservice@pdwatersystems.com

CURVES AND PERFORMANCE DATA



MODEL	HP	CAPACITY GPM	H Feet										
			0	5	10	15	20	25	30	35	40	45	48
3 PH	3.0	2CP25/160A	223	218	213	205	195	182	165	148	128	107	92

DIMENSIONS AND WEIGHTS



MODEL	DISCH		DIMENSIONS INCHES									LBS
	DN1	DN2	a	f	h	h1	h2	n	n1	w	s	
3PH	1 1/2"	1"	3.39	16.0	10.4	4.33	6.02	8.85	7.28	1.02	0.43	3~
2CP25/160A	1 1/2"	1"	3.39	16.0	10.4	4.33	6.02	8.85	7.28	1.02	0.43	55

CP 25

centrifugal pumps

Electric pumps with high efficiency motor for reduced energy consumption



RANGE OF PERFORMANCE

Capacity up to 66 gpm
Head up to 203 ft

LIMITS OF USE

Manometric suction lift up to 23 ft
Liquid temperature up to + 194°F
Environment temperature up to + 88 °F

CONSTRUCTION AND SAFETY STANDARDS

EN 60034-1
IEC 34-1
CEI 2-3



INSTALLATION AND USE

They are recommended for pumping clean water and liquids that are chemically non aggressive to the materials from which the pump is made.

RELIABLE AND MAINTENANCE FREE THEY ARE WIDELY USED IN THE CIVIL, AGRICULTURAL AND INDUSTRIAL SECTORS, FOR SUPPLYING WATER, FOR CONDITIONING OR COOLING SYSTEMS, FOR IRRIGATION, ETC.

It is recommended to install the pumps in enclosed places, or at least protected against inclement weather.

GUARANTEE 2 YEAR subject to our general terms of sale.

CONSTRUCTION CHARACTERISTICS

PUMP BODY: cast iron, with threaded ports.

BODY BACK-PLATE: cast iron.

IMPELLER: brass

MOTOR SHAFT: stainless steel EN 10088-3 - 1.4104.

MECHANICAL SEAL: ceramic - graphite - NBR.

ELECTRIC MOTOR: the pumps are close-coupled to a carefully matched PEDROLLO electric motor, quiet running, totally enclosed fan cooled (TEFC), suitable for continuous duty.

CP25 : three-phase 230/460 V - 60 Hz

INSULATION: class F • **PROTECTION:** IP 44.

REGISTERED MODEL n° 72753
PATENTED ELECTRIC MOTOR

OPTIONS ON REQUEST

pump shaft in stainless steel **EN 10088-3 - 1.4401 (AISI 316)**

special mechanical seal

protection IP 55

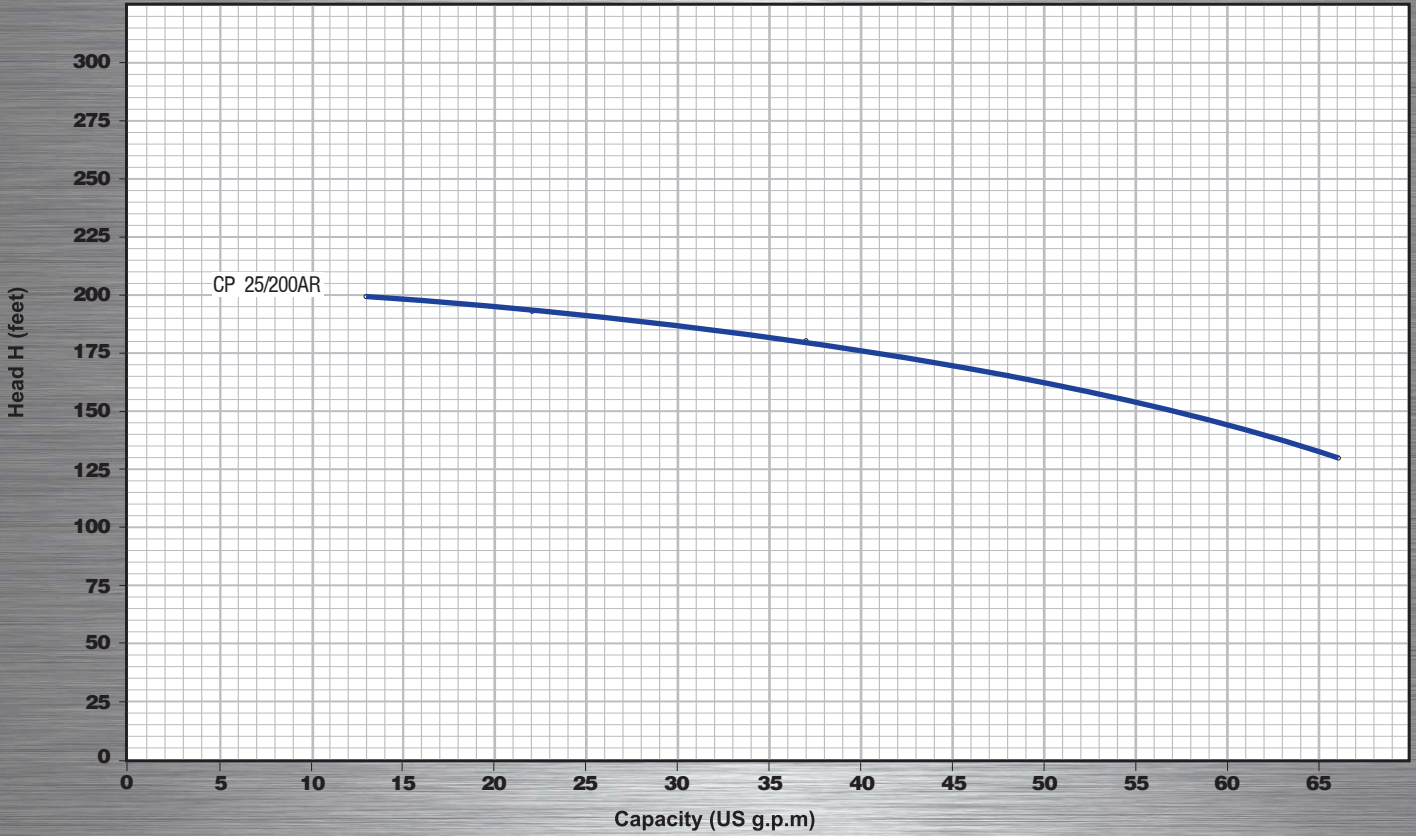


 tech support (954) 474 9090

 www.pdwatersystems.com

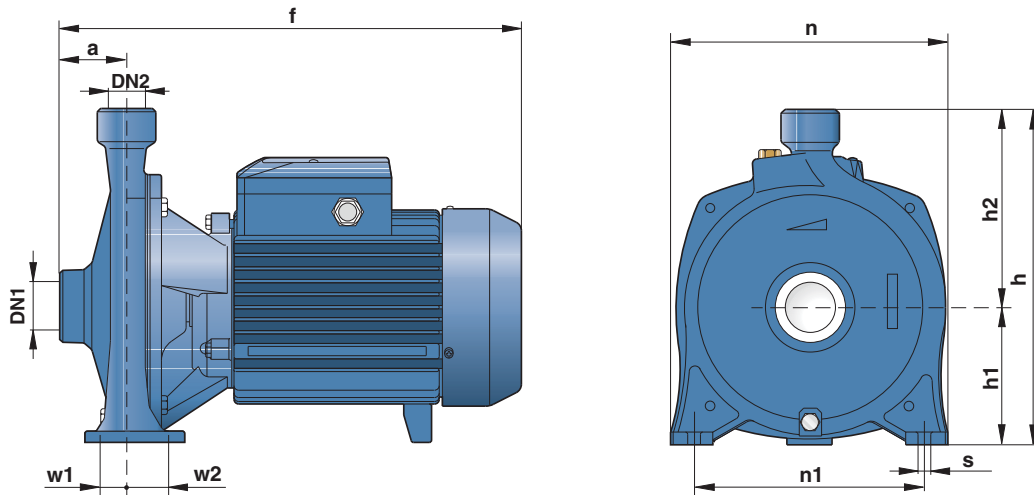
 customerservice@pdwatersystems.com

CURVES AND PERFORMANCE DATA



MODEL	HP	CAPACITY GPM	Capacity (US g.p.m.)													
			0	13	20	25	30	35	40	45	50	55	60	65		
3 PH																
CP 25/200AR	5	H Feet	203	200	195	190	185	180	175	170	163	155	143	133		

DIMENSIONS AND WEIGHTS



MODEL	DISCH		DIMENSIONS INCHES										LBS
	DN1	DN2	a	f	h	h1	h2	n	n1	w1	w2	s	
CP 25/200AR	1 1/2"	1"	2.36	15.35	12	4.92	7.09	9.92	8.27	0.93	1.56	0.43	68.13

HF

Centrifugal pumps

medium flow rates



RANGE OF PERFORMANCE

Capacity up to 130 gpm
Head up to 75 ft

LIMITS OF USE

Manometric suction lift up to 23 ft
Liquid temperature up to + 194°F
Environment temperature up to + 88 °F

CONSTRUCTION AND SAFETY STANDARDS

EN 60034-1
IEC 34-1
CEI 2-3



INSTALLATION AND USE

THE **HF** SERIES IS RECOMMENDED FOR CIVIL, AGRICULTURAL AND INDUSTRIAL APPLICATIONS. THE HIGH FLOW RATES AND CONTINUOUS RATING MAKE IT IDEAL FOR IRRIGATION WITH FLOWING AND SPRINKLING WATER, FOR DRAWING WATER FROM LAKES, RIVERS, WELLS, OR FOR INDUSTRIAL APPLICATIONS THAT NEED TO ACHIEVE LARGE FLOW RATES AT MEDIUM-LOW HEADS.

The pumps must be installed in enclosed places, or at least protected against inclement weather.

GUARANTEE 2 YEAR subject to our general terms of sale.

CONSTRUCTION CHARACTERISTICS

- **PUMP BODY:** cast iron, with threaded ports ISO 228/1.
- **IMPELLER:** brass, of the type with centrifugal radial flow.
- **MOTOR SHAFT:** stainless steel EN 10088-3 - 1.4104.
- **MECHANICAL SEAL:** ceramic - graphite - NBR.
- **ELECTRIC MOTOR:** the pumps are close-coupled to a carefully matched PEDROLLO electric motor, quiet running, totally enclosed fan cooled (TEFC), suitable for continuous duty.
 - HFm:** single-phase 230 V - 60 Hz with capacitor and thermal overload protector.
 - HF:** three-phase 230/460 V - 60 Hz
- **INSULATION:** class F. ● **PROTECTION:** IP 44.


OPTIONS ON REQUEST

- ⇒ special mechanical seal
- ⇒ other voltages or frequency 60 Hz

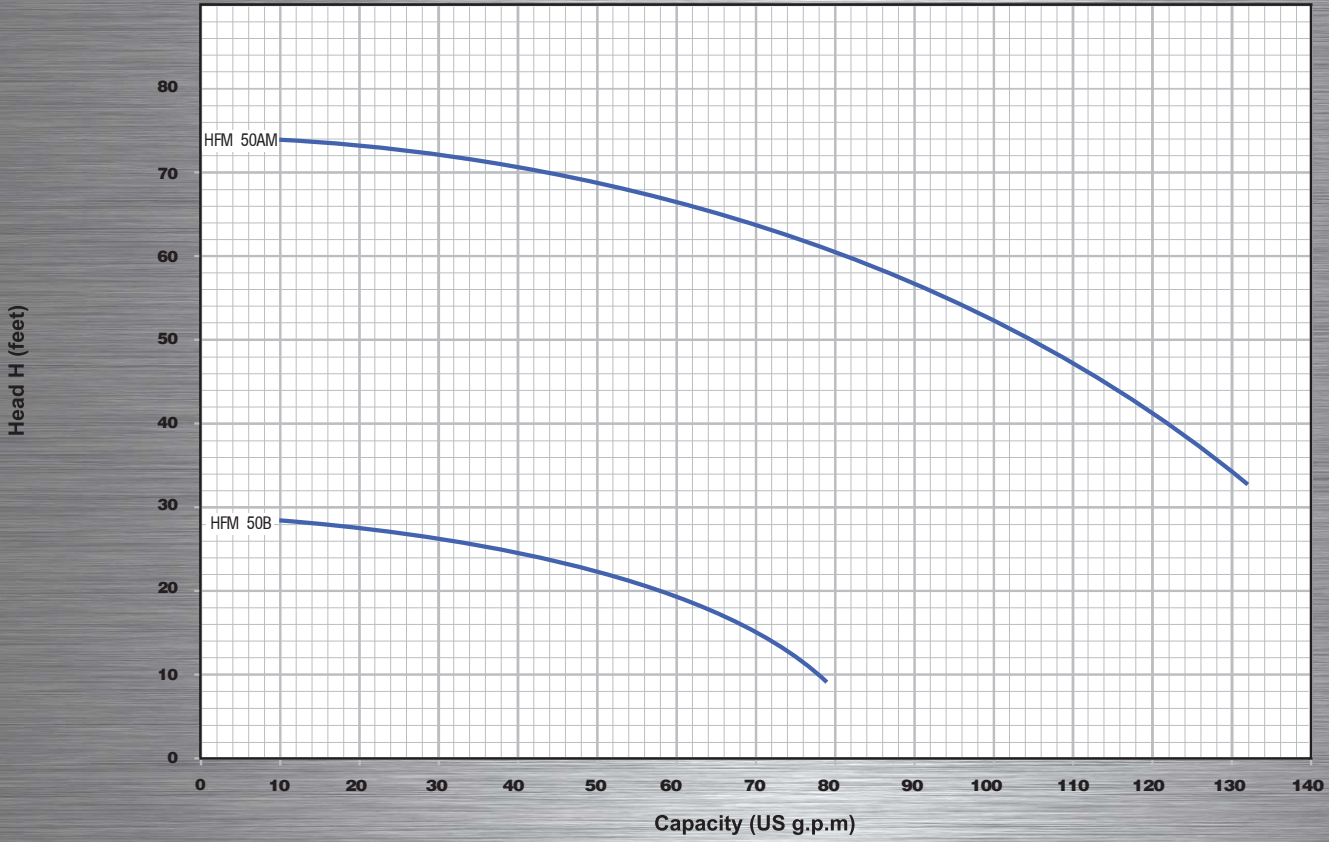


 tech support (954) 474 9090

 www.pdwatersystems.com

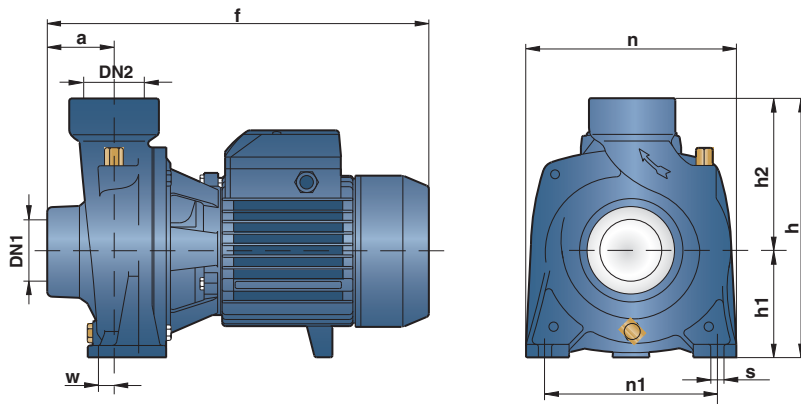
 customerservice@pdwatersystems.com

CURVES AND PERFORMANCE DATA



MODEL		HP	CAPACITY GPM	0	10	20	30	40	50	60	70	80	90	100	110	120	130	
1 PH	3 PH			H Feet														
HFM 50B	HF 50B	0.5		29	28	27	26	24	22	19	15	8						
HFM 5AM	HF 5AM	2		75	74	73	72	71	69	66	64	61	57	52	47	41	34	

DIMENSIONS AND WEIGHTS



MODEL		DISCH		DIMENSIONS INCHES									LBS	
1 PH	3PH	DN1	DN2	a	f	h	h1	h2	n	n1	w	s	1~	3~
HFM 50B	HF 50B	1 1/2"	1 1/2"	1.8	10.9	7.9	3.2	4.6	6.5	5.3	0.04	0.4	18.3	18.1
HFM 5AM	HF 5AM	2"	2"	2.0	15.2	10.2	4.3	5.9	8.1	6.3	0.04	0.4	49.1	48.2

PK

turbine pumps with
peripheral impeller
end suction



RANGE OF PERFORMANCE

Capacity up to 23 gpm
Head up to 329 ft

LIMITS OF USE

Manometric suction lift up to 26 ft
Liquid temperature up to + 140°F
Environment temperature up to + 104°F

CONSTRUCTION AND SAFETY STANDARDS

EN 60 335-1
IEC 335-1
CEI 61-150

EN 60034-1
IEC 34-1
CEI 2-3



INSTALLATION AND USE

They are recommended for pumping clean water without abrasive particles and liquids that are chemically non aggressive to the materials from which the pump is made.

FOR THEIR RELIABILITY, SIMPLICITY OF USE AND ECONOMY THEY ARE SUITABLE FOR RESIDENTIAL USE AND IN PARTICULAR FOR DISTRIBUTING WATER IN COMBINATION WITH SMALL PRESSURE SETS, FOR IRRIGATING GARDENS.

It is recommended to install the pumps in enclosed places, or at least protected against inclement weather.

GUARANTEE 2 YEAR subject to our general terms of sale.

CONSTRUCTION CHARACTERISTICS

PUMP BODY: cast iron, with threaded ports.

MOTOR BRACKET (patent n° 1289150): aluminium with brass insert; reduces starting difficulties due to seizure of the impeller after long periods of inactivity.

IMPELLER: brass, of the type with radial peripheral vanes.

MOTOR SHAFT: stainless steel EN 10088-3- 1.4104.

MECHANICAL SEAL: ceramic - graphite - NBR.

ELECTRIC MOTOR: the pumps are close-coupled to a carefully matched PEDROLLO electric motor, quiet running, totally enclosed fan cooled (TEFC), suitable for continuous duty.

PK: single-phase 115 V or 230 V - 60Hz with capacitor and thermal overload protector.

PK: three-phase 230/460 V - 60 Hz.

INSULATION: class F. • **PROTECTION:** IP 44.

REGISTERED MODEL n° 72753.

OPTIONS ON REQUEST

special mechanical seal

other voltages or frequency 50 Hz

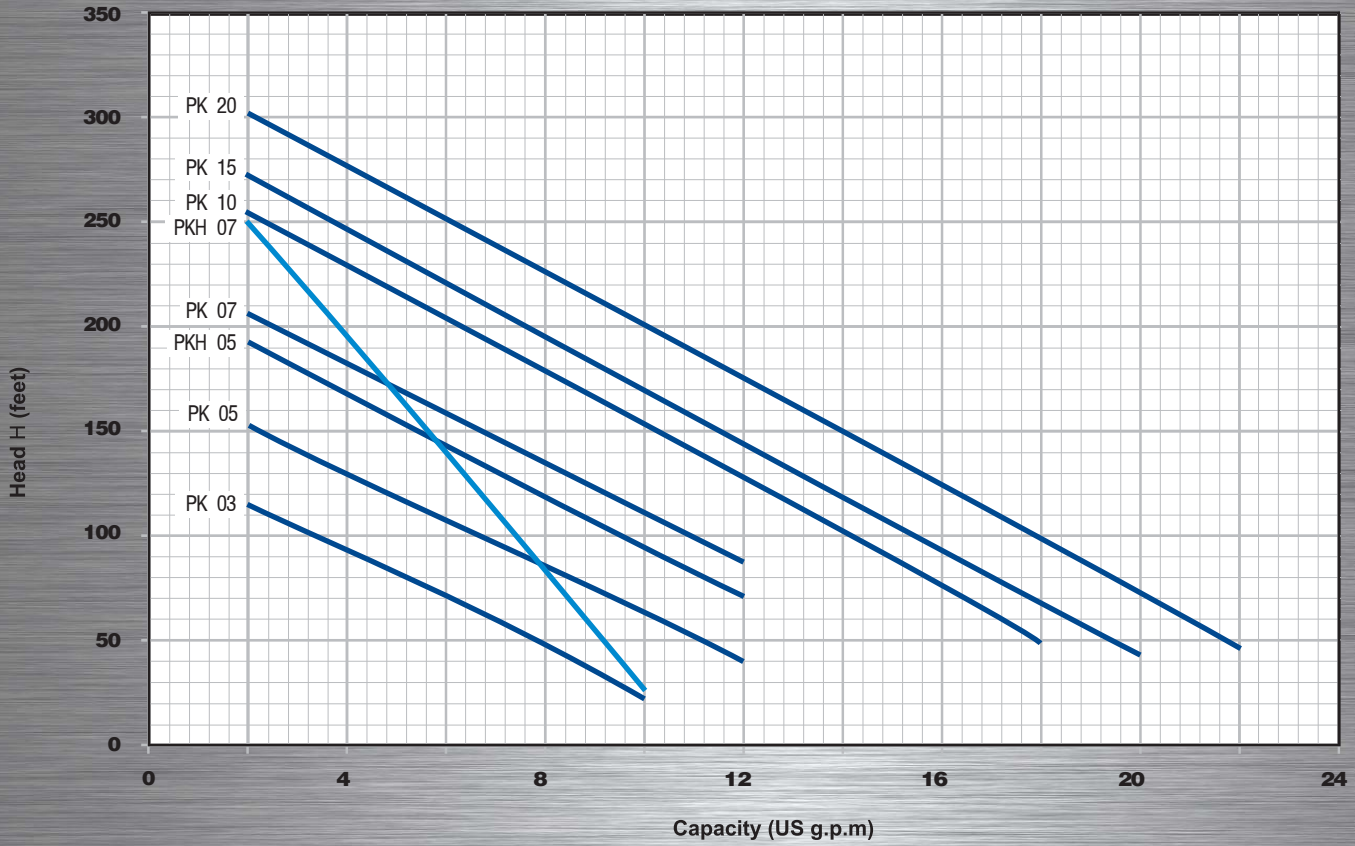


tech support (954) 474 9090

www.pdwatersystems.com

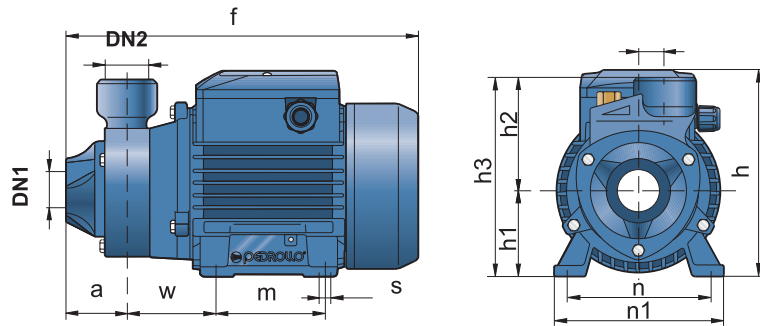
customerservice@pdwatersystems.com

CURVES AND PERFORMANCE DATA



MODEL		HP	CAPACITY GPM	H Feet													
1 PH	3PH			0	2	4	6	8	10	12	14	16	18	20	22		
PK 03	PK 03	0.33		131	111	91	70	47	20								
PK 05	PK 05	0.5		181	156	131	108	72	60	38							
PKH 05	PKH 05	0.5		214	191	169	140	118	92	70							
PK 07	PK 07	0.7		230	205	181	159	132	111	87							
PKH 07	PKH 07	0.7		296	250	195	140	72	27								
PK 10	PK 10	1		279	254	230	202	179	151	128	101	78	49				
PK 15	PK 15	1.5		296	271	248	220	193	170	142	119	92	68	41			
	PK 20	2		329	301	278	250	226	200	175	150	125	99	72	48		

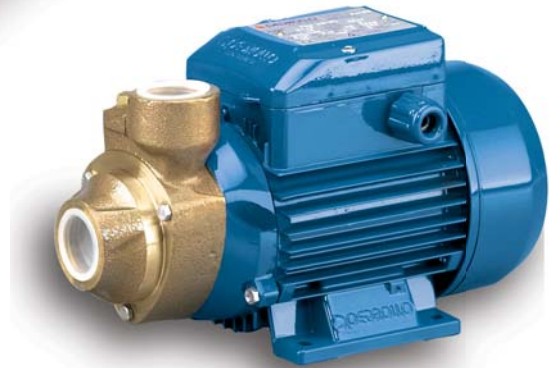
DIMENSIONS AND WEIGHTS



MODEL	DISCH	DIMENSIONS INCHES														LBS	
1 PH	3PH	DN1	DN2	a	f	h	h1	h2	h3	i	m	n	n1	w	s	1~	3~
PK 03	PK 03	1"	1"	1.7	9.5	5.9	2.4	2.9	5.4	0.7	3.1	4.7	3.9	2.1	0.2	11.7	11.7
PK 05	PK 05	1"	1"	1.9	10,15/9,84	5.9	2.4	3.1	5.6		3.1	4.7	3.9	2.1	0.2	17.0	14.1
PKH 05	PKH 05	1"	1"	2.2	11.2	7.0	2.8	3.3	6.1		3.5	5.4	4.4	2.4	0.2	22.3	20.3
PK 07	PK 07	1"	1"	2.2	11.2	7.0	2.8	3.3	6.1		3.5	5.4	4.4	2.4	0.2	22.7	21.8
PKH 07	PKH 07	3/4"	3/4"	2.3	11.3	7.0	2.8	3.7	6.5		3.5	5.4	4.4	2.4	0.2	22.7	20.5
PK 10	PK 10	1"	1"	2.2	13.7	8.3	3.1	3.7	6.8		3.9	6.2	4.9	3.3	0.3	33.1	28.9
PK 15	PK 15	1"	1"	2.2	13.7	8.3	3.1	3.7	6.8		3.9	6.2	4.9	3.3	0.3	35.3	33.5
	PK 20	1"	1"	2.2	13.7	8.3	3.1	3.7	6.8		3.9	6.2	4.9	3.3	0.3		39.7

PK-Bz

turbine pumps with
peripheral impeller and
bronze pump body



RANGE OF PERFORMANCE

Capacity up to 13.2 gpm
Head up to 181 ft.

LIMITS OF USE

Liquid temperature up to + 194°F
Environment temperature up to + 104°F

CONSTRUCTION AND SAFETY STANDARDS

EN 60034-1
IEC 34-1
CEI 2-3



INSTALLATION AND USE

They are recommended for pumping clean water without abrasive particles and liquids that are chemically non aggressive to the materials from which the pump is made. **THE NON-FERROUS CONSTRUCTION GUARANTEES AGAINST RUST AND OXIDATION. THE COMPACT DESIGN AND HYDRAULIC CHARACTERISTICS SUIT INDUSTRIAL APPLICATIONS INCLUDING COOLING AND CONDITIONING SYSTEMS.**

It is recommended to install the pumps in enclosed places, or at least protected against inclement weather.

GUARANTEE 2 YEAR subject to our general terms of sale.

CONSTRUCTION CHARACTERISTICS

PUMP BODY: bronze, with threaded ports.
MOTOR BRACKET (patent n° 1289150) PK-Bz, PQ-Bz: aluminium with brass front insert.
BODY BACK-PLATE: CP-Bz: stainless steel AISI 316.
IMPELLER: PK-Bz: brass.
MOTOR SHAFT: stainless steel AISI 316.
MECHANICAL SEAL: ceramic - graphite - VITON.
ELECTRIC MOTOR: induction motor, for continuous duty.
PK-BZ: single-phase 115 V or 230 V - 60 Hz with capacitor and thermal overload protector.
PK-BZ: three-phase 230/460 V - 60 Hz.
INSULATION: class F. • **PROTECTION:** IP 44.


OPTIONS ON REQUEST

special mechanical seal
other voltages or frequency 50 Hz
protection IP 55
for liquids with higher temperatures
for environments with higher temperatures

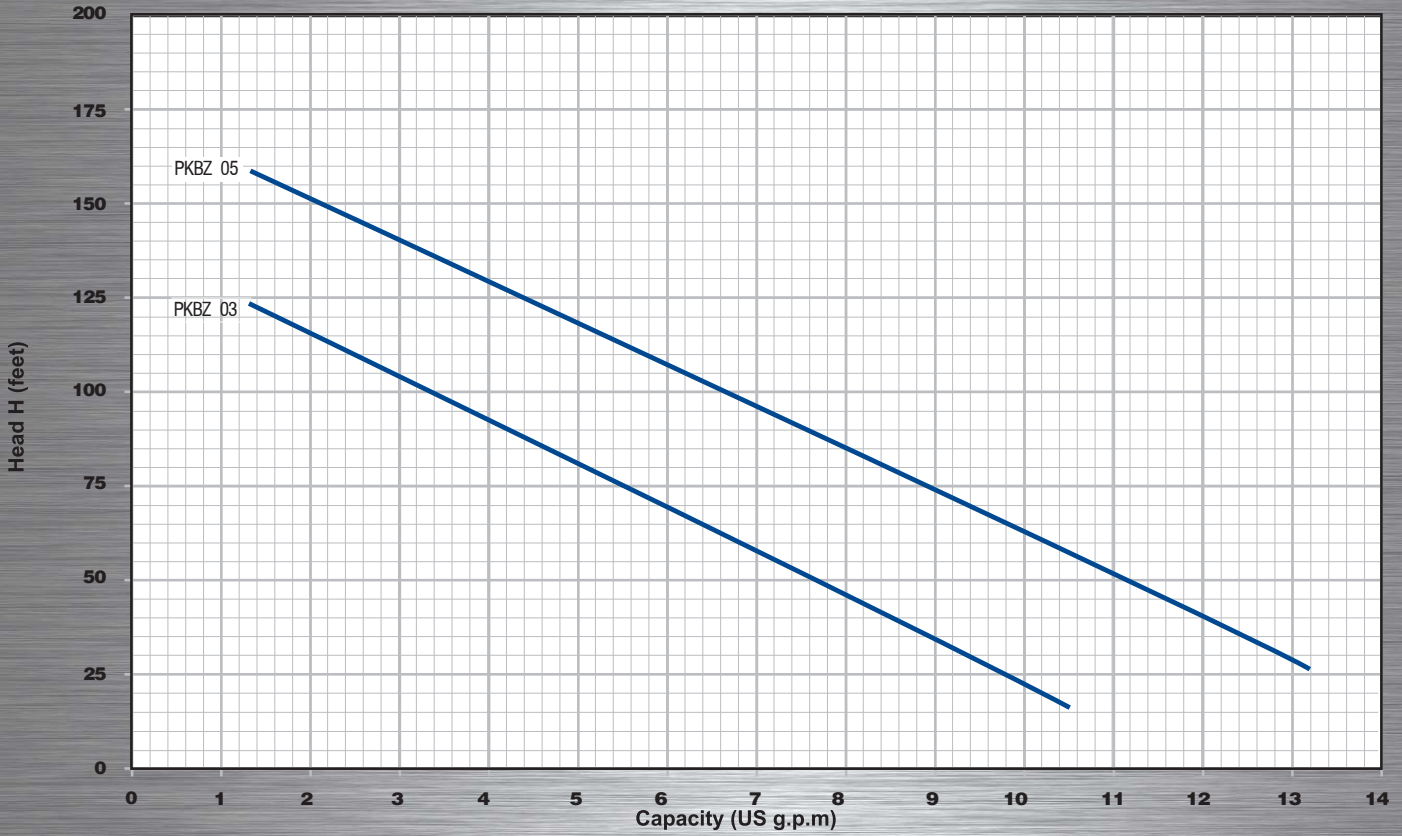


 tech support (954) 474 9090

 www.pdwatersystems.com

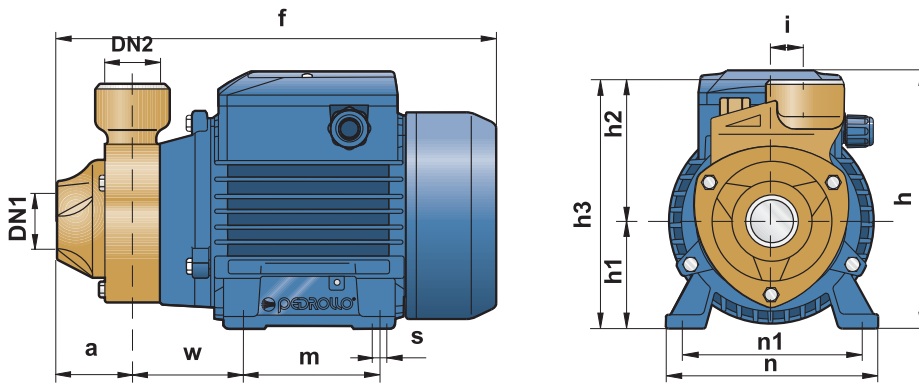
 customerservice@pdwatersystems.com

CURVES AND PERFORMANCE DATA



MODEL		HP	CAPACITY GPM	H Feet														
1 PH	3 PH			0	1	2	3	4	5	6	7	8	9	10	11	12	13	14
PKBZ 03	PKBZ 03	0.33	H Feet	131	127	115	104	92	81	70	58	46	34	22				
PKBZ 05	PKBZ 05			0.5	181	165	151	140	128	117	107	96	85	74	63	51	40	28

DIMENSIONS AND WEIGHTS



MODEL		DISCH		DIMENSIONS INCHES												LBS	
1 PH	3PH	DN1	DN2	a	f	h	h1	h2	h3	i	m	n	n1	w	s	1~	3~
PKBZ 03	PKBZ 03	1"	1"	1.7	9.5	5.9	2.4	2.9	5.4	0.7	3.1	4.7	3.9	2.1	0.2	11.7	11.7
PKBZ 05	PKBZ 05	1"	1"	1.9	10.2/9.8			3.1	5.6							17.0	14.1

PQ

turbine pump with
peripheral impeller
with lateral suction



RANGE OF PERFORMANCE

Capacity up to 23 gpm
Head up to 329 ft

LIMITS OF USE

Manometric suction lift up to 26 ft
Liquid temperature up to + 194°F
Environment temperature up to + 104°F

CONSTRUCTION AND SAFETY STANDARDS

EN 60034-1
IEC 34-1
CEI 2-3



INSTALLATION AND USE

They are recommended for pumping clean water without abrasive particles and liquids that are chemically non aggressive to the materials from which the pump is made.

THE HYDRAULIC CHARACTERISTICS OF THESE PUMPS, TOGETHER WITH THEIR COMPACTNESS, MAKE THEM SUITABLE FOR USE IN THE industrial SECTOR. It is recommended to install the pumps in enclosed places, or at least protected against inclement weather.

GUARANTEE 2 YEAR subject to our general terms of sale.

CONSTRUCTION CHARACTERISTICS

PUMP BODY: cast iron, with threaded ports.

PUMP BODY: brass for PQHNB 05

MOTOR BRACKET (patent n° 1289150): aluminium with brass insert; reduces starting difficulties due to seizure of the impeller after long periods of inactivity.

IMPELLER: brass, of the type with radial peripheral vanes.

MOTOR SHAFT: stainless steel EN 10088-3 - 1.4104.

MECHANICAL SEAL: ceramic - graphite - NBR.

ELECTRIC MOTOR: the pumps are close-coupled to a carefully matched PEDROLLO electric motor, quiet running, totally enclosed fan cooled (TEFC), suitable for continuous duty.

PQ: single-phase 115 V or 230 V - 60 Hz with capacitor and thermal overload protector.

PQ: three-phase 230/460 V - 60 Hz.

INSULATION: class F. • **PROTECTION:** IP 44.

REGISTERED MODEL

OPTIONS ON REQUEST

pump shaft in stainless steel EN 10088-3 - 1.4401 (AISI 316)

special mechanical seal

protection IP 55

other voltages or frequency 50 Hz

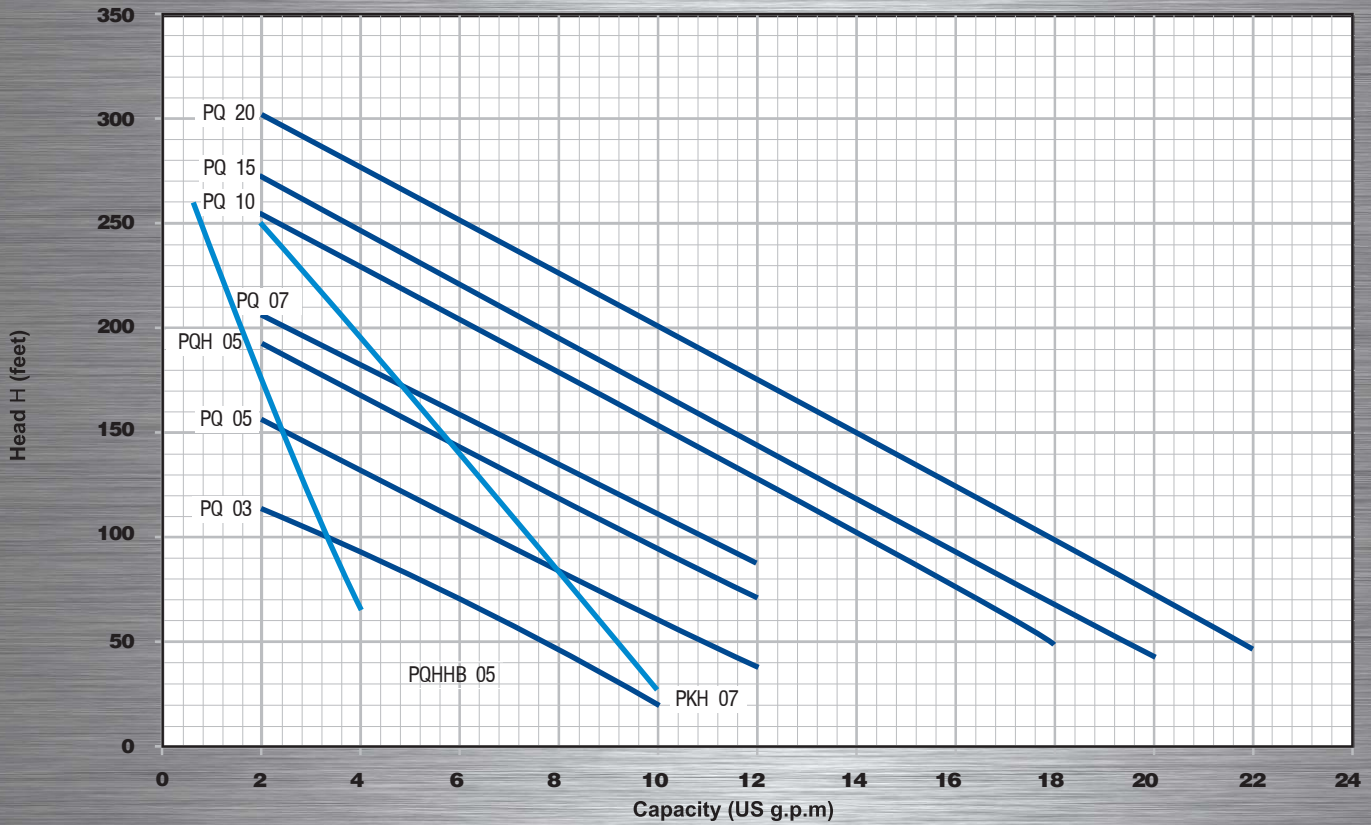


tech support (954) 474 9090

www.pdwatersystems.com

customerservice@pdwatersystems.com

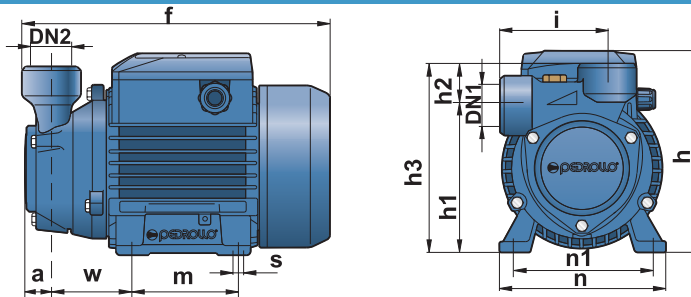
CURVES AND PERFORMANCE DATA



MODEL		HP	CAPACITY GPM	H Feet													
1 PH	3PH			0	2	4	6	8	10	12	14	16	18	20	22		
PQ 03	PQ 03	0.33		131	111	91	70	47	20								
PQ 05	PQ 05	0.5		181	156	131	108	72	60	38							
PQH 05	PQH 05	0.5		214	191	169	140	118	92	70							
PQ 07	PQ 07	0.7		230	205	181	159	132	111	87							
PQH 07	PQH 07	0.7		296	250	195	140	72	27								
PQ 10	PQ 10	1		279	254	230	202	179	151	128	101	78	49				
PQ 15	PQ 15	1.5		296	271	248	220	193	170	142	119	92	68	41			
	PQ 20	2		329	301	278	250	226	200	175	150	125	99	72	48		

MODEL		HP	CAPACITY GPM	H Feet													
1 PH	3PH			0	2	4	6	8	10	12	14	16	18	20	22		
PQHH/B 05	PQHH/B 05	0.5		296	175	65											
PQHH/B 05	PQHH/B 05	0.5		296	250	197	140	84	28								

DIMENSIONS AND WEIGHTS



MODEL		DISCH		DIMENSIONS INCHES														LBS	
1 PH	3 PH	DN 1	DN 2	a	f	h	h1	h2	h3	i	m	n	n1	w	s	1~	3~		
PQ 03	PQ 03	1"	1"	0.9	8.8	6.0	4.3	1.2	5.4	3.1	3.1	4.7	3.9	2.2	0.3	11.7	11.7		
PQ 05	PQ 05	1"	1"	0.9	9.1/8.93	6.0	4.4	1.2	5.6	3.1	3.1	4.7	3.9	2.2	0.3	15.6	13.9		
PQH 05	PQH 05	1"	1"	0.9	10.0	7.0	4.8	1.2	5.9	3.3	3.5	5.4	4.4	2.4	0.3	21.8	19.6		
PQHH/B 05	PQHH/B 05	1/2"	1/2"	0.7	8.93/8.66	6.0	4.6	0.9	5.6	2.8	3.1	4.7	3.9	2.3	0.3	14.8	15.0		
PQHH/B 05	PQHH/B 05	1/2"	1/2"	0.9	8.93/8.66	7.0	5.0	1.1	6.0	3.3	3.5	5.4	4.4	2.4	0.3	15.0	15.0		
PQ 07	PQ 07	1"	1"	0.9	10.0	7.0	4.8	1.2	5.9	3.3	3.5	5.4	4.4	2.4	0.3	22.1	19.4		
PQH 07	PQH 07	3/4"	3/4"	0.7	10.0	7.0	5.0	1.1	6.0	3.3	3.5	5.4	4.4	2.4	0.3	22.1	19.8		
PQ 10	PQ 10	1"	1"	1.0	12.5	8.3	5.5	1.2	6.7	3.5	3.9	6.2	4.9	3.3	0.4	32.7	31.6		
PQ 15	PQ 15	1"	1"	1.0	12.5	8.3	5.5	1.2	6.7	3.5	3.9	6.2	4.9	3.3	0.4	34.7	32.7		
	PQ 20	1"	1"	1.0	12.5	8.3	5.5	1.2	6.7	3.5	3.9	6.2	4.9	3.3	0.4		34.7		

PQH 20

turbine pump with peripheral
impeller
lateral suction



RANGE OF PERFORMANCE

Capacity up to 13 gpm
Head up to 590 ft

LIMITS OF USE

Manometric suction lift up to 24 ft
Liquid temperature up to 140°F
Environment temperature up to 104°F

CONSTRUCTION AND SAFETY STANDARDS

EN 60 335-1 EN 60034-1
IEC 335-1 IEC 34-1
CEI 61-150 CEI 2-3



INSTALLATION AND USE

It is recommended for pumping clean water without abrasive particles and liquids that are chemically non aggressive to the materials from which the pump is made. **THE HYDRAULIC CHARACTERISTICS OF THIS PUMP, TOGETHER WITH ITS COMPACTNESS AND STURDINESS, MAKE IT SUITABLE FOR USE IN THE INDUSTRIAL SECTOR.** It is recommended to install the pumps in enclosed places, or at least protected against inclement weather.

GUARANTEE 2 YEAR subject to our general terms of sale.

CONSTRUCTION CHARACTERISTICS

PUMP BODY: cast iron, with threaded ports.

BODY BACK-PLATE: brass with front shim disk in stainless steel.

MOTOR BRACKET (patent n° 1289150): aluminium with brass and stainless steel insert; eliminates seizure of the impeller after long periods of inactivity.

IMPELLER: bronze, of the type with radial peripheral vanes.

MOTOR SHAFT: stainless steel EN 10088-3 - 1.4104.

MECHANICAL SEAL: ceramic - graphite - NBR.

ELECTRIC MOTOR: the pumps are close-coupled to a carefully matched PEDROLLO electric motor, quiet running, totally enclosed fan cooled (TEFC), suitable for continuous duty.

PQH 20: three-phase 230V - 60 Hz.

INSULATION: class F. • **PROTECTION:** IP 68.

OPTIONS ON REQUEST

pump shaft in stainless steel EN 10088-3 - 1.4401 (AISI 316)
special mechanical seal
other voltages or frequency 50 Hz

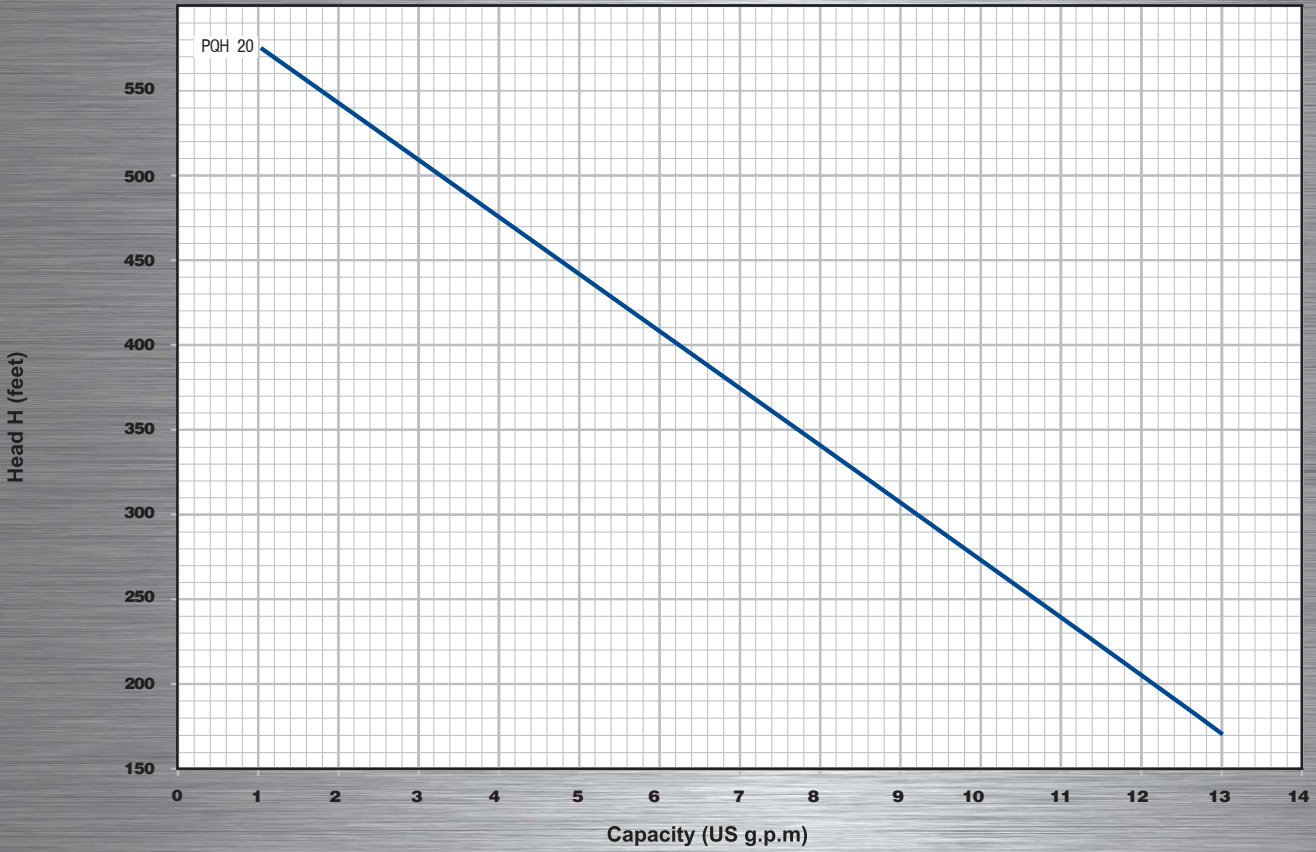


tech support (954) 474 9090

www.pdwatersystems.com

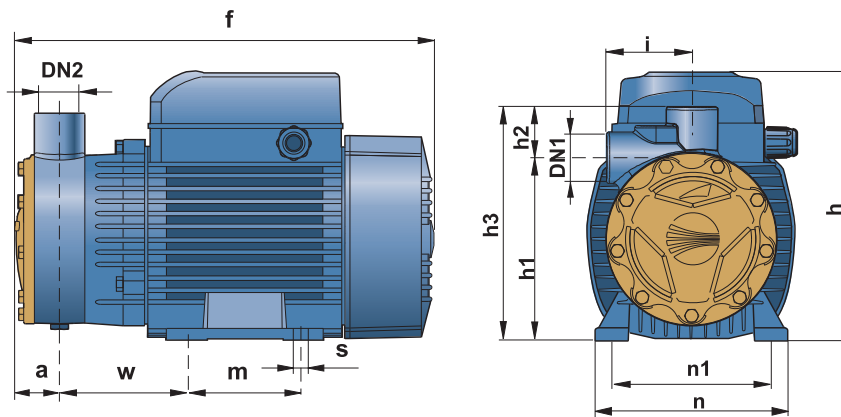
customerservice@pdwatersystems.com

CURVES AND PERFORMANCE DATA



MODEL	HP	CAPACITY GPM	CAPACITY GPM													
			0	1	2	3	4	5	6	7	8	9	10	11	12	13
3 PH		H Feet	590	575	542	510	475	441	409	371	340	308	272	239	204	170
PQH 20	2	H Feet	590	575	542	510	475	441	409	371	340	308	272	239	204	170

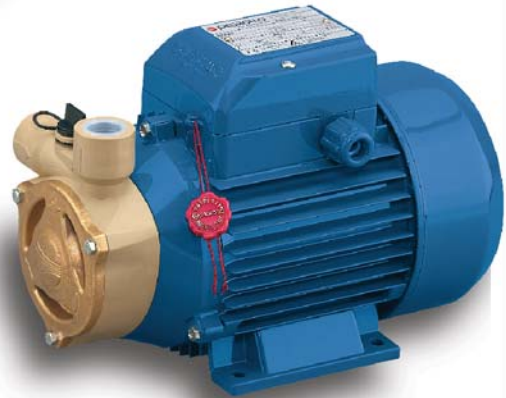
DIMENSIONS AND WEIGHTS



MODEL	DISCH		DIMENSIONS INCHES													LBS
	DN1	DN2	a	f	h	h1	h2	h3	i	m	n	n1	w	s		
1 PH															3~	
PQH 20	3/4"	3/4"	1.3	12.9	8.3	5.5	1.4	7.0	2.5	3.9	6.5	4.9	3.8	0.3	42.0	

PQA

turbine pump with high performance technopolymer pump body with peripheral impeller and lateral suction



RANGE OF PERFORMANCE

Capacity up to 13 gpm
Head up to 296 ft

LIMITS OF USE

Manometric suction lift up to 26 ft
Liquid temperature up to 194°F
Environment temperature up to 104°F

CONSTRUCTION AND SAFETY STANDARDS

EN 60034-1
IEC 34-1
CEI 2-3



INSTALLATION AND USE

They are recommended for pumping clean water without abrasive particles and liquids that are chemically non aggressive to the materials from which the pump is made. **NON-FERROUS CONSTRUCTION WITH WETTED PARTS IN HIGH PERFORMANCE TECHNOPOLYMER AND BRASS TO ELIMINATE THE POSSIBILITY OF CORROSION. CONSEQUENTLY THEY ARE RECOMMENDED FOR INDUSTRIAL APPLICATIONS INCLUDING COOLING, CONDITIONING AND BOILER FEED.**

It is recommended to install the pumps in enclosed, or at least protected against inclement weather.

GUARANTEE 2 YEAR subject to our general terms of sale.

CONSTRUCTION CHARACTERISTICS

PUMP BODY: high-performance technopolymer with metal threaded port insert ISO 228-1 for secure pipe connection without damage to the pump body.

BODY BACK-PLATE: brass .

MOTOR BRACKET (patent n° 1289150): aluminium with brass insert; eliminates seizure of the impeller after long periods of inactivity.

IMPELLER: brass, of the type with radial peripheral vanes.

MOTOR SHAFT: stainless steel EN 10088-3 - 1.4104.

MECHANICAL SEAL: ceramic - graphite - NBR.

ELECTRIC MOTOR: the pumps are close-coupled to a carefully matched PEDROLLO electric motor, quiet running, totally enclosed fan cooled (TEFC), suitable for continuous duty.

PQA: single-phase 115 or 230V - 60 Hz with capacitor and thermal overload protector.

PQA: three-phase 230/460 V - 60 Hz.

INSULATION: class F. • **PROTECTION:** IP 44.

REGISTERED MODEL

OPTIONS ON REQUEST

pump shaft in stainless steel EN 10088-3 - 1.4401 (AISI 316)

special mechanical seal

protection IP 55

other voltages or frequency 60 Hz

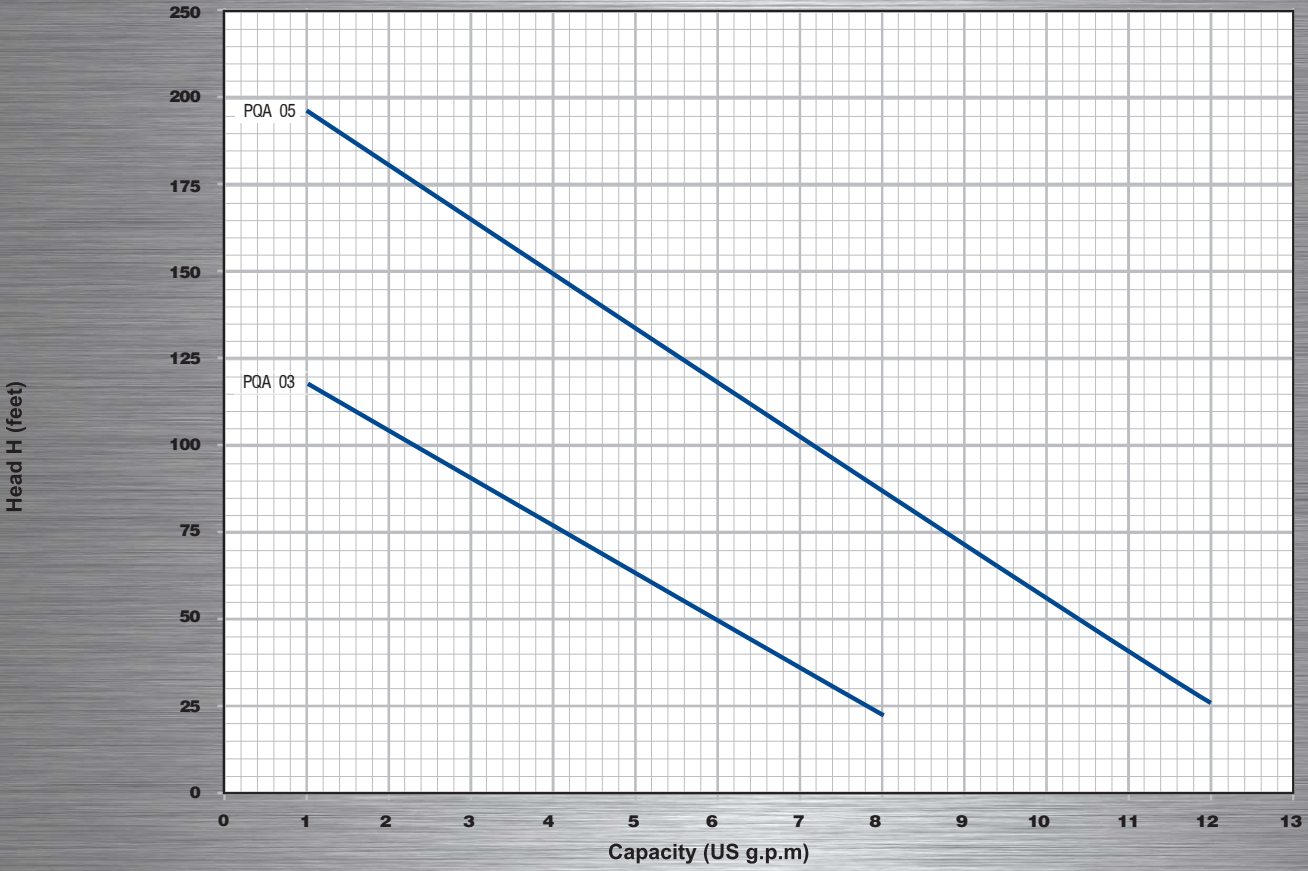


tech support (954) 474 9090

www.pdwatersystems.com

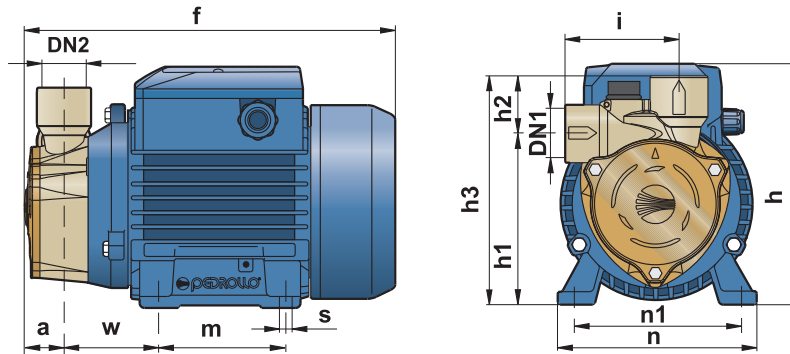
customerservice@pdwatersystems.com

CURVES AND PERFORMANCE DATA



MODEL		HP	CAPACITY GPM	0	1	2	3	4	5	6	7	8	9	10	11	12
1 PH	3 PH			H Feet												
PQA 03	PQA 03	0.33	H Feet	131	117	105	91	77	63	49	35	22				
PQA 05	PQA 05			214	196	181	165	149	134	118	103	87	72	56	40	26

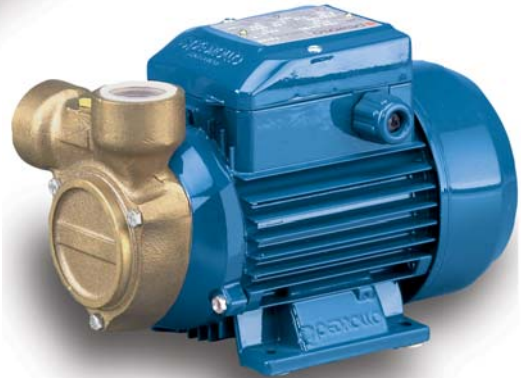
DIMENSIONS AND WEIGHTS



MODEL		DISCH		DIMENSIONS INCHES													LBS	
1 PH	3PH	DN1	DN2	a	f	h	h1	h2	h3	i	m	n	n1	w	s	1~	3~	
PQA 03	PQA 03	1/2"	1/2"	1.0	8.9	6.0	4.1	1.3	5.4	2.9	3.1	4.7	3.9	2.2	0.3	16.6	10.6	
PQA 05	PQA 05			1.1	10.2	7.0	4.6		5.9		3.5	5.4	4.4	2.4		22.7	20.5	

PQ-Bz

pump with peripheral impeller



RANGE OF PERFORMANCE

Capacity up to 13.2gpm
Head up to 181 ft.

LIMITS OF USE

Liquid temperature up to + 194°F
Environment temperature up to + 104°F

CONSTRUCTION AND SAFETY STANDARDS

EN 60034-1
IEC 34-1
CEI 2-3



INSTALLATION AND USE

They are recommended for pumping clean water without abrasive

particles and liquids that are chemically non aggressive to the materials from which the pump is made. **THE NON-FERROUS CONSTRUCTION GUARANTEES AGAINST RUST AND OXIDATION. THE COMPACT DESIGN AND HYDRAULIC CHARACTERISTICS SUIT INDUSTRIAL APPLICATIONS INCLUDING COOLING AND CONDITIONING SYSTEMS.**

It is recommended to install the pumps in enclosed places, or at least protected against inclement weather.

GUARANTEE 2 YEAR subject to our general terms of sale.

CONSTRUCTION CHARACTERISTICS

PUMP BODY: bronze, with threaded ports.

MOTOR BRACKET (patent n° 1289150) PK-Bz, PQ-Bz: aluminium with brass front insert.

IMPELLER: PQ-Bz: brass.

MOTOR SHAFT: stainless steel AISI 316.

MECHANICAL SEAL: ceramic - graphite - VITON.

ELECTRIC MOTOR: induction motor, for continuous duty.

PQBZ: single-phase 115 V or 230 V - 60 Hz with capacitor and thermal overload protector.

PQBZ: three-phase 230/460 V - 60 Hz.

INSULATION: class F. • **PROTECTION:** IP 44.

OPTIONS ON REQUEST

special mechanical seal

other voltages or frequency 50 Hz

protection IP 55

for liquids with higher temperatures

for environments with higher temperatures

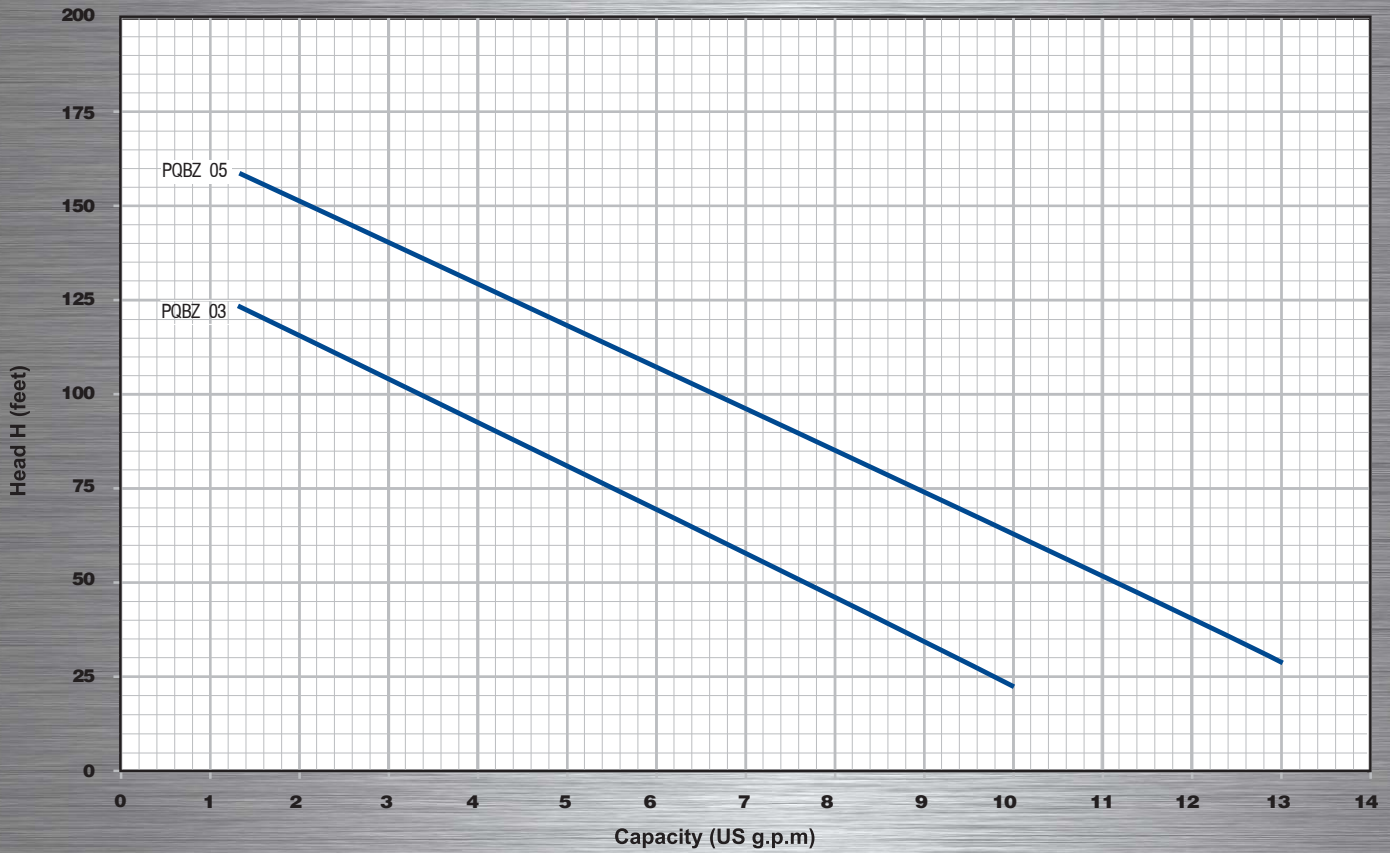


tech support (954) 474 9090

www.pdwatersystems.com

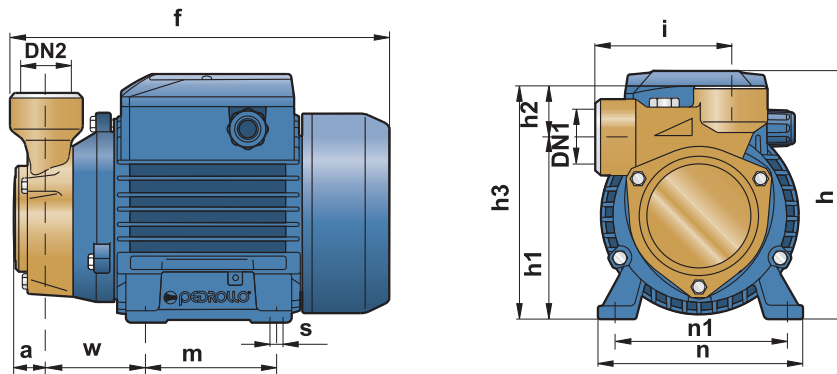
customerservice@pdwatersystems.com

CURVES AND PERFORMANCE DATA



MODEL		HP	CAPACITY GPM	0	1	2	3	4	5	6	7	8	9	10	11	12	13	14
1 PH	3 PH			H Feet														
PQBZ 03	PQBZ 03	0.33	H Feet	131	127	115	104	92	81	70	58	46	34	22				
PQBZ 05	PQBZ 05			181	165	151	140	128	117	107	96	85	74	63	51	40	28	

DIMENSIONS AND WEIGHTS



MODEL		DISCH		DIMENSIONS INCHES												LBS	
1 PH	3PH	DN1	DN2	a	f	h	h1	h2	h3	i	m	n	n1	w	s	1~	3~
PQBZ 03	PQBZ 03	1"	1"	1.7	9.5	5.9	2.4	2.9	5.4	0.7	3.1	4.7	3.9	2.1	0.2	11.7	11.7
PQBZ 05	PQBZ 05	1"	1"	1.9	10.2/9.8		2	3.1	5.6						0	17.0	14.1

 **PEDROLLO**[®]
... the spring of life